

Use and maintenance manual **EN**



**KRUPPS**®

DISHWASHER MACHINES 



Reverse osmosis device

SO3100K



## Content

1 - INTRODUCTION .....	5
2 - TECHNICAL CHARACTERISTICS .....	6
3 - SAFETY .....	7
4 - STORAGE .....	7
5 - USE CONDITIONS AND PERIOD OF USE .....	9
6 - INSTALLATION .....	11
7 - SPARE PARTS AND PRE-FILTRATION .....	13
8 - USE .....	13
9 - MAINTENANCE.....	15
10 - ELECTRONIC MANAGEMENT .....	18
11 - FAULTS MANAGEMENT .....	20
12 - GENERAL DESIGN .....	21
13 - WARRANTY STANDARDS .....	23
INSTALLATION CERTIFICATE .....	25
MAINTENANCE SHEET .....	26

## **IMPORTANT**

Please read this manual carefully and follow the instructions herein for the guarantee that your reverse osmosis system works properly. Non-compliance with these instructions will cause the warranty to be made void.

The manufacturer cannot be held in any way liable for any damage to people or property caused by a failure to comply with this attached manual, which is an integral part of the scope of supply.

This manual is valid for the SO3100K versions.

The kit is intended for use in a household environment. In particular, its use consists of processing and supplying already drinkable water for human consumption. Any other use is not permitted.

This manual is valid for the following models:

SO3100K (LCD)

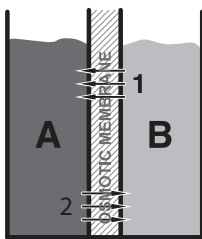
## 1 - INTRODUCTION

Osmosis is a natural phenomenon for which a solution poor in mineral salts passes through a semi-permeable membrane then it is diluted in another one that has a greater saline concentration.

By applying counter pressure, this procedure is inverted and you obtain **REVERSE OSMOSIS**: in fact, by pushing a solution with a high concentration of mineral salts against a special membrane, **PROCESSED WATER** is obtained. Due to its structure and properties, the membrane almost completely retains dissolved salts, heavy metals, pollutant elements, bacteria and viruses letting the water pass in all its genuine purity.

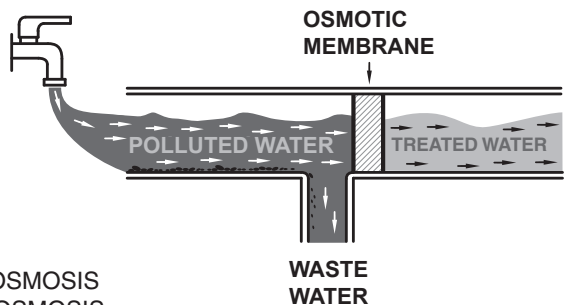
REVERSE OSMOSIS is therefore the safest and most widespread purification system around the world; the advantages, other than basic reliability of the system, is represented by the simplicity of assembly, the very low operating costs and the total absence of chemical products.

The **SO3100K** model is capable of eliminating all impurities and harmful pollutants for health from the water. Treated water is the ideal solution for household use and delivery since the exclusive filtration system forms a safety barrier against different pollutants in groundwater.



OSMOTIC  
MEMBRANE

1 - NATURAL OSMOSIS  
2 - REVERSE OSMOSIS



## 2 - TECHNICAL CHARACTERISTICS

ELECTRICAL POWER SUPPLY	220 VAC - 50 Hz
MAXIMUM POWER	250 W
FUSES	3.15 AT
MIN/MAX SUPPLY PRESSURE	1 / 5 bar
PUMP MAXIMUM PRESSURE	9 bar
MIN/MAX WATER TEMPERATURE	5 / 35 °C
MAX PERMITTED CHLORINE	0.2 ppm
MAX PERMITTED IRON	0.1 ppm
MAX PERMITTED MANGANESE	0.1 ppm
MAX SALINITY	1500 µS/cm
MIN/MAX AMBIENT TEMPERATURE	5 / 40 °C
MAX RELATIVE HUMIDITY	95 %

NOMINAL PERFORMANCE*					
MODEL	PRODUCTION 25°C	RECOVERY RATE	REJECTION**	SUPPLY FLOW RATE	WORK CYCLE
SO3100K	150 l/h	Intelligent Man- agement, varia- ble from 30% to 60%	92% / 95%	300 l/h	100%

\* The performances in the table are average values obtained in standard test conditions, in particular with water prepared with NaCl at 500 ppm. The conditions can greatly vary based on the real conditions, the temperature and wear status.

\*\* The drain is managed by a patented valve, which always allows discarding of the optimal water quantity to preserve the membranes and have a higher quality of permeate possible.

### 3 - SAFETY

The electrical safety of this equipment is only ensured when it is connected to an electrical system with a sufficient ground socket and a differential switch pursuant to law.

Checking this fundamental requirement for safety is compulsory. If in doubt, require assistance from a qualified technician.

Use of the **SO3100K**, as with any other equipment connected to an electrical system, involves compliance with certain fundamental safety rules:

- do not touch the reverse osmosis purifying system with wet or damp hands or feet;
- do not detach or connect the plug in the socket with wet hands;
- do not pull the power supply cable to detach the plug from the socket;
- do not leave the reverse osmosis purifying system exposed to atmospheric agents;
- do not allow the reverse osmosis purifying system to be used by children without supervision;
- before carrying out any cleaning or maintenance operation, disconnect the reverse osmosis purifying system from the electrical mains by detaching the plug;
- in the event of a fault or poor operation, switch off the reverse osmosis purifying system and do not tamper with it. Contact an authorised technician for any intervention; in the event of replacement of parts of the reverse osmosis purifying system for maintenance or due to a fault by an unauthorised technician, ensure said parts comply with legislation in force.

The manufacturer cannot be held in any way liable for possible inaccuracies in this instruction manual due to printing or transcription errors.

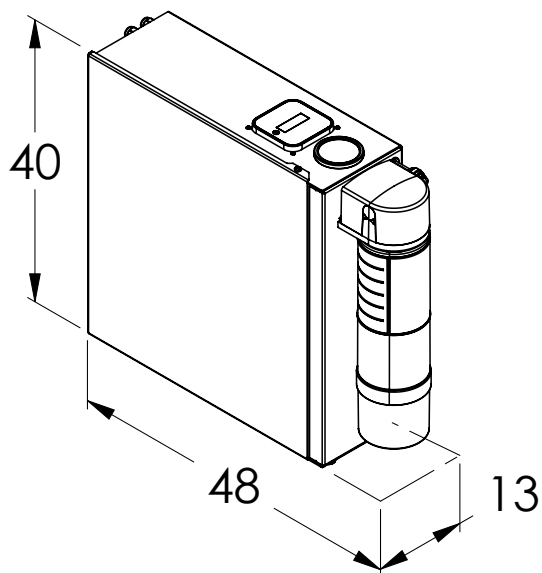
The manufacturer also reserves the right to bring all changes to the reverse osmosis purifying system, as deemed useful or necessary, without altering its basic characteristics.

### 4 - STORAGE

The packaged equipment must be stored in a dry place (without condensate), protected against bad weather. The permitted temperature is 0-50°. You should consider that, even if carefully packaged and protected, the system must be considered and handled as **fragile material**. On receipt, the packaging must be opened to check the equipment is intact. **If damaged, immediately notify the carrier.**



SO3100K





## 5 - USE CONDITIONS AND PERIOD OF USE

Reverse osmosis system, processing essentially consists of adjustable reduction in fixed residue in treated water.

The machine is intended for use in a closed and protected environment, not outdoors. Its use consists of treating and supplying drinking water for human consumption and for technical use. Any other use is not permitted.



**Attention:** this equipment requires regular, periodic maintenance to guarantee the requirements of treated drinking water and to maintain the improvements as declared by the manufacturer of the reverse osmosis system for domestic use for the treatment of drinking water. Equipment for the treatment of drinking water. Input water must be drinkable according to Ministerial Decree no. 31 of 2 February 2001.

English

**Summary table for time of use and maintenance methods**

	Time	Assessment method	Intervention to follow
Period of use	10 years	Installation booklet present	Service by manufacturer or disposal
Duration active carbon filters	Most critical condition: 12 months or used up	Board signalling	Replacement and sanitisation
Membrane life	Most critical condition: 2 years or used up	Installation booklet present	Replacement and sanitisation
Machine off without electrical supply	Over 10 days or time uncontrolled	Ascertain by calendar	Filter replacement and sanitisation
Drainage restrictor	Each filter change	Board signalling	Restrictor replacement

For the maintenance method, see the specific chapter.

To define the period of use and the maintenance methods, specific tests were carried out. Furthermore, a water sample was analysed to verify the altered parameters and compliance with MD 31 on 2 February 2001.



**Important:** After installation, the machine must be powered for hygiene reasons (flushing) and to have correct management of the exhausted filter. Sanitise and replace the pre-filter after periods of disuse longer than 10 days in the absence of electrical power supply.

The results of drinkability testing of the water taken before and after SO3100K are outlined below. Both tests, carried out by an accredited institute, confirm the water to be drinkable. In particular, it is confirmed that treatment efficiently combats various parameters, in particular conductivity, hardness and various chemical substances.

**Chemical and bacteriological drinkability (MD 31 on 02/02/2001)**  
 sampling date 15/11/2019 (machine appropriately adjusted)

<b>Test</b>	<b>U.M.</b>	<b>Water supply</b>	<b>SO3100K s/n H102001</b>
Viable micro-organisms at 36°C	CFU/mil	<1	<1
Viable micro-organisms at 22°C	CFU/1mil	<1	21
Escherichia coli	cfu/100mil	0	0
Coliform bacteria	cfu/100mil	0	0
Intestinal enterococci	cfu/100mil	0	0
pH	Unit of pH	7.44	7.25
Conductivity	µS/cm	978	155
Chlorides	mg/l	157	17
Sulphates	mg/l	209	24
Ammoniacal nitrogen (N-NH <sub>4</sub> )	mg/l	<0.1	<0.1
Nitrates	mg/l	16	3
Nitrites	mg/l	<0.1	<0.1
Hardness	°F	42	5
Oxidisability	mg/l O <sub>2</sub>	1.8	1.8
Iron	µg/l	9	<1

## 6 - INSTALLATION

**Installation and maintenance should be carried out to standard by specialist technicians, in particular in compliance with this manual, pursuant to MD 25 on 7 February 2012 and, where relevant, in compliance with the provisions outlined in MD 37 on 22 January 2008.**

The reverse osmosis purifying system was designed for installation in a closed environment, not outdoors, in a hygienically suitable location, protected from frost. It must also be connected to standard to the electricity mains and the drinking water mains, in compliance with the technical characteristics outlined in chapter 2.

- For a perfect preservation, the membranes are kept in preservative substances. Therefore, do not use the first water produced by a new system, or on which the osmotic membrane was replaced, but let it flow for 2 cycles of approx. 10 minutes, with 5-minute stop intervals.
- Always install a sediment pre-filter with an adequate flow rate and characteristics based on the system and the quality of the input water.
- Installations, repairs, interventions or changes must be carried out by authorised staff.

Before proceeding to installation, check there is sufficient space to:

- Comfortably install the hydraulic connections;
- Easily remove spare parts;
- Carry out maintenance.

### **Hydraulic connection:**

Install the hydraulic connections following the writing on the machine, "IN" indicates arrival of water supply; "OUT" indicates osmosis water to send to sampling; "DRAIN" indicates water output to send to drainage.

Supply the machine with an adequate tubing based on the water system to be created. Always assemble a shut-off valve (for example a lever tap), upstream of the water supply circuit.

To check if the flow rate of the supply circuit is adequate, proceed as follows: Install a gauge IMMEDIATELY BEFORE THE MACHINE INLET. The working system pressure during the supply phase must be minimum 0.5 bar.

### **Electrical connection:**

Check if the fuse is in the power supply socket of the machine. Check the characteristics and safety requirements of the electrical system.

Position the switch on 0 (machine off) and connect the machine to the electrical system with the specific cable.

## Start-up:

Having connected the hydraulic system:

- Open the water slowly, checking there are no leaks.
- Press the start button
- Open the tap and allow water to flow to purge the air.

**ATTENTION:** Do not operate the machine without firstly opening the water. Operating a dry pump could damage the pump.

After operation, sanitise the system.

Carefully fill in the installation certificate and the maintenance table and affix the serial number sticker from the sanitising agent packaging on the cap. Everything must be kept with the system. If the documentation is not filled in properly, the manufacturer cannot be held in any way liable for the quality of the water treated and for the integrity of the system.

Check and, as necessary, adjust pressure and fixed residue (see dedicated section).

## Pressure adjustment

The vessel is equipped with a pressure adjustment system. In the pressure testing phase it is adjusted to 8 bar. The pressure can vary based on the actual conditions at the installation site or based on system wear. After installation and during the maintenance phase, check and adjust the pressure if necessary.

Permitted values:	
Sensor	6.5 bar
Optimal	8 bar
Maximum	9 bar

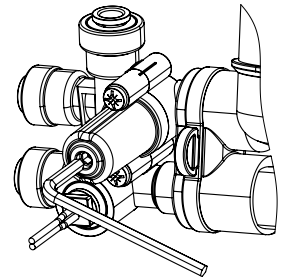
To adjust the pressure, do not work on the pump head, but on the vessel adjustment device.

Procedure

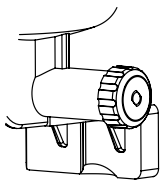
Activate the system and check the pump pressure.

If calibration is necessary, proceed as follows:

- Unscrew the adjustment device to minimum pressure
- Screw in the adjustment device to slightly exceed the calibration pressure
- Work on the adjustment device to reach the calibration pressure



## Mixer adjustment



The pump is equipped with a bypass system to adjust the fixed residue of the produced water; the bypass is completely tightened in the test phase. After installation and in the maintenance phase, check and, if necessary, adjust the bypass.

The fixed residue can be estimated with the TDS meter or conductivity meter, use the bypass system knob until the desired value is obtained. Fixed residue that is too low could influence the PH. After adjustment,

measure the PH, checking it has returned within the drinkability values.

## 7 - SPARE PARTS AND PRE-FILTRATION

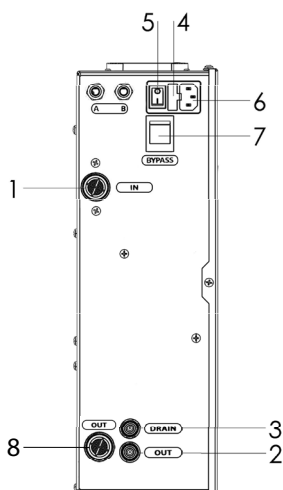
The machine requires carbon filter pre-filtration, **which is not an optional**, only using material supplied or approved by the manufacturer. Non-installation of pre-filtration or use of unapproved components can cause the warranty to expire.

Approved pre-filtration:
SO3101
SO3102 - for sanitization

English

For maintenance, use only spare parts supplied or approved by the manufacturer.

## 8 - USE



1. Inlet fitting, 3/4BSP
2. Permeate outlet 1/4
3. Concentrate outlet 1/4
4. Fuse compartment
5. Main switch
6. Power supply cable socket
7. Osmosis diverter / bypass
8. Permeate outlet 3/4

### **Basic operation**

The systems of the SO31XX series supply with automatic osmosis water management. Supply is controlled by a maximum pressure switch inside the machine. When the request ceases (for example on closure of the tap on the permeate duct), the pressure rises up to the intervention value of the pressure switch (2.5 bar), the control unit will stop supply. When there is a water demand (for example, when the tap is opened on the permeate pipe), the pressure drops and the pressure switch will send a command for water delivery to the control unit.

See the ELECTRONCIS MANAGEMENT chapter for further details.

### **Emergency bypass**

The versions with bypass function integrate a system which, in the event of system blockage, diverts the entire water flow rate inbound directly outbound by opening the solenoid valve. By doing so, even if not treated, water can be supplied in standby for support intervention.

To pass from standard mode (osmosis) to emergency mode (bypass), activate the diverter (8) bringing it to the bypass position.

NOTE: the bypass circuit is also protected by the fuse, if the system should not supply water also following activation of the bypass function, the fuse may need to be replaced.

### **Anti-flooding**

The machine is equipped with an anti-flooding system capable of detecting leaks in the machine and immediately stopping supply. The system cannot detect, and in particular block flooding from leaks outside the machine. If necessary, assemble management and control devices for external flooding.

The manufacturer cannot be held liable for any flood damage caused by leaking components outside the machine.

## 9 - MAINTENANCE

For all requirements of a technical-operational nature, you must contact the manufacturer's Technical Support service.

Installation and maintenance should be carried to standard by specialist technicians, in particular in compliance with this manual, pursuant to Leg. Decree 25 on 7 February 2012 and, where relevant, in compliance with the provisions outlined in Min. Decree 37 on 22 January 2008.

On each maintenance intervention carried out, strictly compile the maintenance table at the end of this manual, which should be preserved with the system.

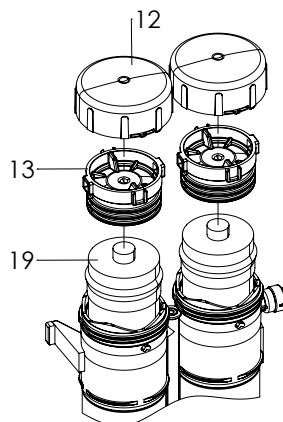
### Replacement of the pre-filter

Procedure to replace the cartridge:

- Cut power by disconnecting the electrical power plug.
  - Turn the exhausted cartridge anti-clockwise and remove it.
- During the operation, it is inevitable that a small amount of water will leak, which is contained in the piping.
- Insert the new cartridge and turn it clockwise to the end, until you hear a click, and align the closed lock icon to the arrow on the head.
  - Check carefully that there are no water leaks.

### Procedure to replace the membranes:

- Cut power by disconnecting the electrical power plug.
- Dismount the modular vessel assembly, remove the caps using the appropriate vessel key. During this operation, water will inevitably exit from the vessels.
- Insert the new membranes, check if the O-rings are correctly positioned and assemble the caps on the vessels.
- Assemble the vessel modular assembly.
- Carefully check there are no leaks.
- To re-start the reverse osmosis purifying system, follow the procedure illustrated in the points: "start-up" (sect. 3) and "sanitation" (sect. 6).
- Check that there are no traces of water on the bottom.



## SANITATION

The purpose of sanitisation is to keep in an optimal condition a system that was properly installed and maintained in compliance with this manual. In particular, scheduled sanitisation cycles must be performed at the right time intervals and as instructed in the Maintenance Table.

In the event of:



- misuse
- a failure to observe all requirements in this manual
- machines with bacterial contamination due to an input load over legal limits
- extended or unknown downtime
- other extraordinary conditions not provided for in this manual

Systems should be treated differently, based on the situation. Extraordinary maintenance. Contact the dealer for the methods. The system is intended to sanitise the system, as outlined in the figure below, with a simple delivery tap. Remove any systems or other devices connected downstream of the machine during the process (if necessary, treat them as indicated by the manufacturer)

Sanitise the water circuit when instructed in the table of chapter 5. For sanitation of the machine, use the SO3102 system.

### Sanitation with SO3102

- The system, which is extremely simplified, consists simply of replacing the filtering cartridge (as explained in the dedicated chapter of this manual, installing a SO3102 cartridge (check the expiry date!)
- If the bypass (see chapter 6) is fully tightened, unscrew it by 1 turn. Otherwise, if adjusting, do not touch the regulator.
- Switch on the machine and dispense water for 15 minutes (up to the 15 minutes lock). Discard this water.
- Note: You don't have to do anything during the process. Sanitisation will be completed in a few minutes. The sanitising agent will be removed from the system in the following minutes.
- Leave the SO3102 cartridge installed until the next expiry. Reset the control unit according to the model as indicated in the specified electronic management chapter.
- Take a sample of water, using a commercial kit, to check the total chlorine concentration, which should be less than 0.2 ppm.
- If closed, open the supply tap. Switch on the machine. Discard the water delivered in the first 5 minutes.
- Carefully fill in the installation certificate and the maintenance table.
- For further information, refer to the technical data sheet and the safety data sheet of the SO3102.

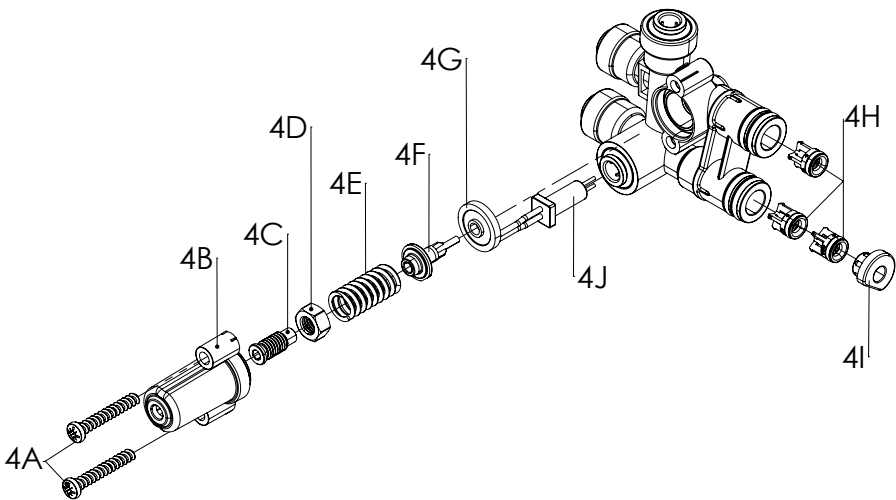


### Maintenance of the outlet module

Periodically, you should inspect and clean the adjustment device of the pressure.

To dismantle it, simply remove the orange plug and remove the module, proceed as follows

- Dismantle and clean the check valve 4H with water and air. When re-assembling it, position the stop 4I correctly.
- Remove the screws 4A
- Carefully examine the pin 4F and the membrane 4G, wash carefully with air and water, replace when necessary
- If present, replace the sensor TDS 4L, having reassembled it and started the system, recalibrate reading
- Wash the body carefully with water and air, especially the compartment with the pin and internal decanters. Do NOT scratch with pointed objects or abrasive materials!
- Reassemble the components

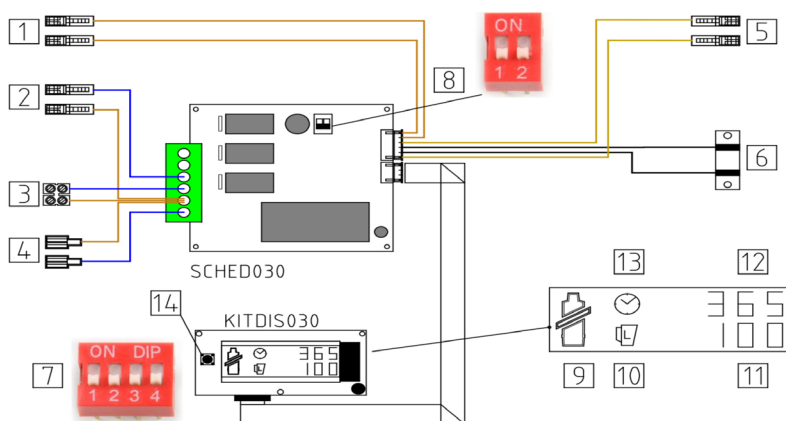


## 10 - ELECTRONIC MANAGEMENT

### LCD CONTROL UNIT

#### Basic functions

- Supply piloted by a pressure switch or with a tap with button
- Pump protection with minimum pressure switch
- Flushing after each supply
- Anti-stagnation every 6 hours
- Filter management based on time and litres supplied
- Leaks and flow obstruction of water detection in the machine
- Lock 15 minutes after continuous supply
- Configuration via dip switch



#### LEGEND

Num.	Position / connection	Description
1	Minimum pressure switch	Brown cables with faston 6.3
2	Solenoid valve	Brown / blue cables with faston 6.3m
3	Pump Motor Connection	Brown / blue cables with terminal board
4	220Vac Power Supply Connection	Brown/blue cable with faston 4.8m
5	Maximum Pressure Switch Connection	Yellow cables with faston 6.3m
6	Anti-flooding	White / black cables with welded sensor
7	Display board	Setting dip switch
8	Power board	Setting dip switch
9	LCD	Icon - Exhausted filter
10	LCD	Icon - Supplying
11	LCD	Icon - Litres remaining to Filter change (in %)
12	LCD	Icon - Time remaining to Filter change (days)
13	LCD	Icon - Timer
14	Display board	Reset key (R)

## FILTER MANAGEMENT

The board manages the filter. The capacity can be set based on the quantity of water processed and the time past (365 days).

Having reached filter exhaustion, icon **(9)** flashing, the board can block or not based on the configuration (see configuration section).

To Reset, switch off and back on the machine, keeping key R **(14)** pressed, the machine will respond with three consecutive beeps.

Key R **(14)** is instead used to display certain parameters of the equipment and in particular, if pressed during the machine on status, they will be displayed in sequence on the display: filter flow rate, LCD board firmware version, power board firmware version.

## CONFIGURATION

<b>(8) POWER BOARD</b>		
	OFF	ON
Dip switch 1	Cable (1) : button tap	Cable (1) : minimum pressure switch
Dip switch 2	-	-

<b>(7) LCD BOARD</b>		
	OFF	ON
Dip switch 1	Not used	Not used
Dip switch 2	2xSO3102	
Dip switch 3	NO Filter alarm block	Filter alarm block
Dip switch 4	Block 15 min	NO Block 15 min

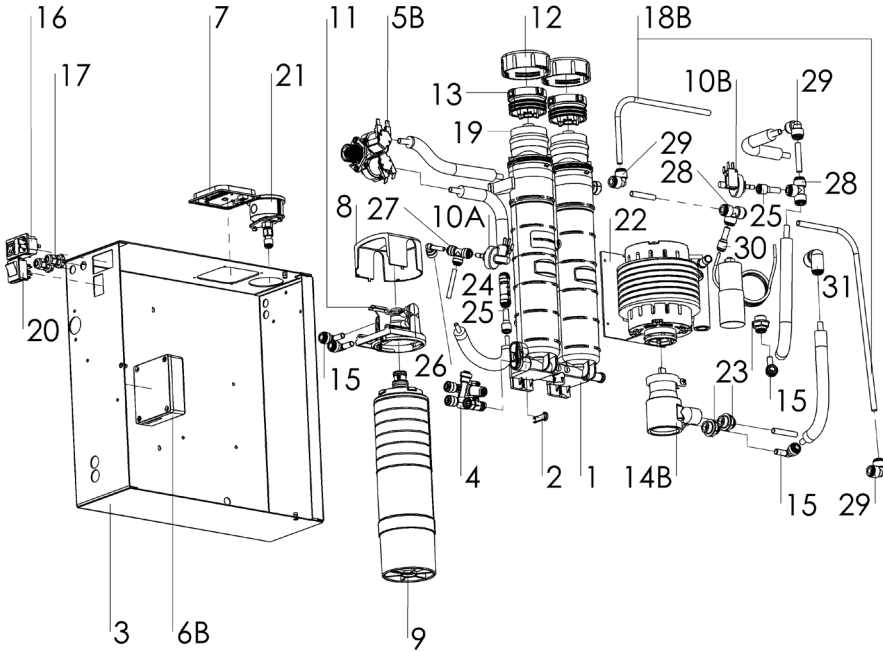
<b>ALARMS TABLE</b>			
NAME	LCD	BACKLIGHT	RESET
Litres filter alarm	Filter icon, L, zero flashing	Red	Reset procedure
Time filter alarm	Filter icon, Clock zero flashing	Red	Reset procedure
Flooding	"Flood" written	Red	Re-start
15 minutes lock	15	Red	Re-start
Low pressure	L.P.	Red	Automated

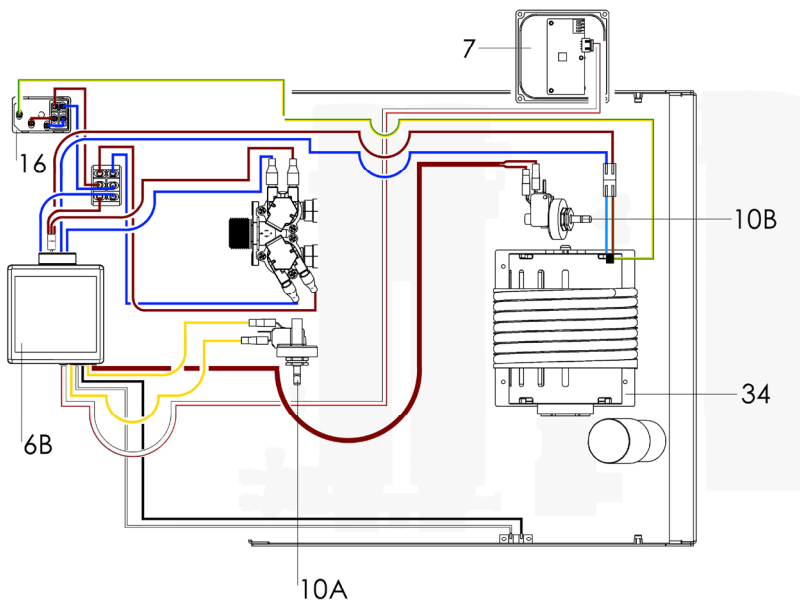
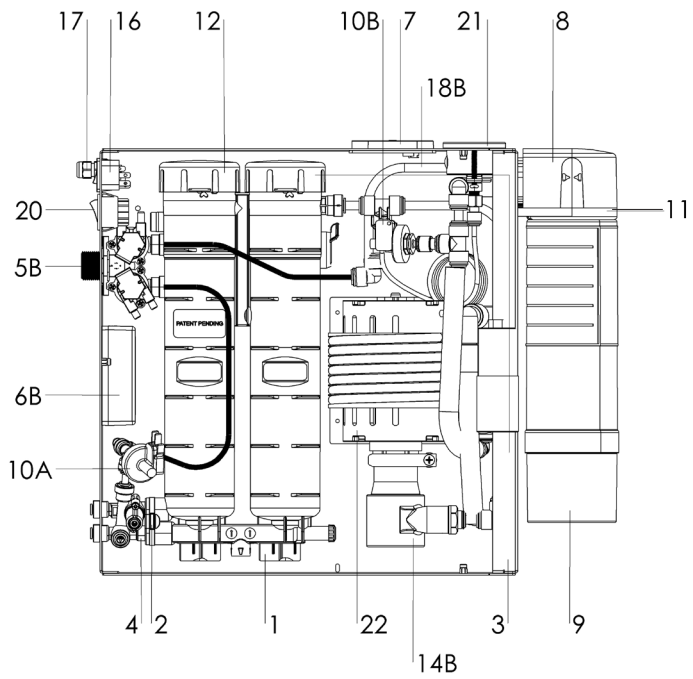
## 11 - FAULTS MANAGEMENT

<b>FAULTS TABLE</b>	
<b>Anomaly</b>	<b>Intervention</b>
Inbound pressure alarm	The alarm is caused by an inbound pressure under 0.5 bar with the machine not supplied. Check the hydraulic power circuit and possible closure of the shut-off taps.
Leaks alarm	The alarm is caused by water on the flooding sensor. Disconnect the electrical power supply system, identify and repair the cause. Excess humidity in the environment can also cause condensate. Before starting the machine, ensure the sensor is perfectly dry. If necessary, blow with compressed air.
Filter alarm	The filter is exhausted based on the parameters set. Replace according to the instructions of the system manual
The machine resets during the supply phase	Pressure in the permeate duct is too high, such to activate the pressure switch. Typically it is caused by flow restrictions in the circuit downstream of the system (small tubes? Components with poor passage? Downstream system requiring little water?) The machine can work with pressure in the upper permeate duct, the entire system should be appropriately shaped.
The machine resets not in supply	Check the following points in the order outlined 1. The problem is often caused by leaks, even minimal ones, in the circuit downstream of the machine. Temporarily replace a simple tube with a tap in the circuit downstream, if the problem persists: 2. Check the machine outbound manifold, checking the possible presence of leaks. On the contrary: 3. Replace the 3 check valves of the outbound manifold (see manual)
The machine appears not electrical supplied	Check the following points in the order outlined 1. Check the intactness of the fuse. 2. Use a multimeter to check if the electronic board is correctly powered with the mains current 3. Replace the power board
The machine causes intervention of the safety differential switch	Check the electricity circuit of the system. Often, the problem is caused by the electric motor, if necessary replace.

# 12 - GENERAL DESIGN

## SO3100K





## 13 - WARRANTY STANDARDS

1. The equipment is guaranteed for a period of time defined by legislation in force. In particular, 1 year from invoicing with VAT no., 2 years from sale to private individual.

2. "Warranty" is intended as the free of charge repair or replacement of the equipment components recognised by the manufacturer .

3. The request for warranty is only valid if accompanied by the purchase invoice bearing the serial no. of the machine, a photocopy of the installation certificate, duly compiled, and the maintenance table (at the end of this manual).

4. The warranty does not apply to damage caused by neglect, wrong use and installation non-conforming with the warnings outlined in this booklet, by lightening, atmospheric phenomena, excess voltage, power surges, insufficient or irregular power supply, as well as damage due to adaptation or changes, or damage caused by improper use or contrary to the technical and/or safety measures required in the country in which the appliance was used.

5. Ascertaining a fault and the relevant intervention should only be carried out by qualified staff. If the machine has to be repaired in a qualified laboratory, expenses and risks of transport to and from such laboratories shall be borne by the purchaser.

6. Lack of maintenance or non-compliance with the manual will cause the warranty to expire.

7. If, during the warranty period, one or more parts are replaced, for repair purposes, with spare parts that are not approved or supplied by the manufacturer or if the repairs are carried out by unauthorised staff, the manufacturer reserves the right to immediately suspend the warranty without further notice.

8. The warranty does not include consumable materials such as osmotic membrane and filtrations.

The warranty applies to components with manufacturing defects found and applies to parts and labour only if the equipment is returned, carriage paid, to the authorised support centre or to the manufacturer.

Having carried out repairs, the equipment will be sent to the purchaser carriage forward and COD for repairs not covered by warranty.

The Support Centre is the only authorised centre to carry out intervention on the equipment and to determine whether the terms of warranty were breached. The Support Centre is not liable for any damage deriving from use of the equipment, whatever the nature may be.

# DECLARATION OF CONFORMITY



The manufacturer company declares  
under its own responsibility that the reverse osmosis devices:

**S03100K**

meet the essential requirements planned by the EU directives in force:

**DIRECTIVE 2014/35/EU LVD**

**DIRECTIVE 2014/30/EU EMC**

**DIRECTIVE 2011/65/EU ROHS**

**CEI EN62233**

**DIRECTIVE 2014/68/EU (PED)**

**MIN. DECREE 174 ON 6 APRIL 2004**

**MIN. DECREE 25 ON 07 FEBRUARY 2012**

**MOCA: REGULATION 2011/10/EU**

**REGULATION 2004/1935/EU**

**REGULATION 2006/2023/EU**

**ROYAL DECREE 742/2013 ON 27 SEPTEMBER 2013**



# CERTIFICATO DI INSTALLAZIONE - INSTALLATION CERTIFICATE

Compilare il seguente modulo per la garanzia:

*Fill in the following form for the warranty:*

<b>Certificato di installazione n°</b> <b>Installation certificate no.</b> .....				
IMPIANTO AD OSMOSI INVERSA - REVERSE OSMOSIS SYSTEM				
<table border="1"><thead><tr><th><b>Dati macchina - Machine data</b></th></tr></thead><tbody><tr><td>modello - <i>model</i></td></tr><tr><td>matricola n° - <i>serial no.</i></td></tr><tr><td>data di installazione - <i>installation date</i></td></tr></tbody></table>	<b>Dati macchina - Machine data</b>	modello - <i>model</i>	matricola n° - <i>serial no.</i>	data di installazione - <i>installation date</i>
<b>Dati macchina - Machine data</b>				
modello - <i>model</i>				
matricola n° - <i>serial no.</i>				
data di installazione - <i>installation date</i>				
<p><i>Owner</i> .....</p> <p><i>Resident in</i> .....</p> <p>.....</p> <p>.....</p>				
<table border="1"><tr><td>Timbro e firma rivenditore - <i>Stamp and signature of dealer</i></td></tr><tr><td> </td></tr></table>	Timbro e firma rivenditore - <i>Stamp and signature of dealer</i>			
Timbro e firma rivenditore - <i>Stamp and signature of dealer</i>				
<table border="1"><tr><td>Timbro e firma installatore - <i>Stamp and signature of installer</i></td></tr><tr><td> </td></tr></table>	Timbro e firma installatore - <i>Stamp and signature of installer</i>			
Timbro e firma installatore - <i>Stamp and signature of installer</i>				





