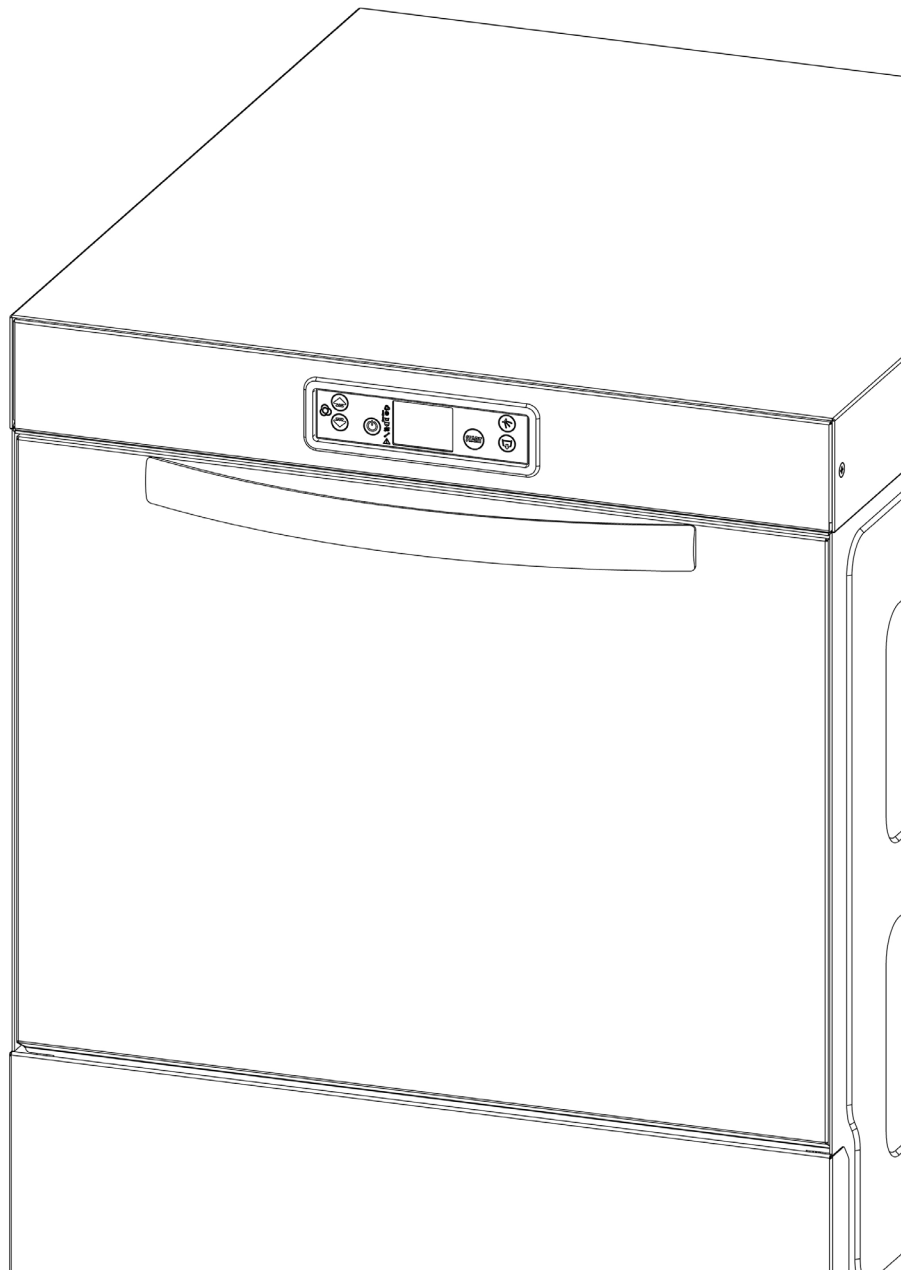




# Instruction and Maintenance Manual LCD Display dishwasher










**TRANSLATION FROM THE ORIGINAL LANGUAGE**

<b>SYMBOLS KEY</b>	<b>5</b>
<b>WARNINGS</b>	<b>6</b>
<b>PART ONE</b>	<b>8</b>
1. Purpose of the information contained in PART ONE	8
2. Reference standards	8
3. Applicability	8
4. Transportation	8
5. Instructions for transportation, storage, unpacking and assembly	9
6. Dishwasher identification and marking	10
<b>PART TWO</b>	<b>11</b>
1. Purpose of the Manual	11
1.1. Who should read this manual	11
1.2. Use and preservation of this manual	11
1.3. Duration and validity of this manual	11
1.4. Request for a copy or a new manual	11
1.5. Update	11
1.6. Transfer of ownership	11
1.7. Customer's suggestions	11
1.8. Liability Limits	12
1.8.1. Use Limits	12
1.8.2. Regulations to be observed	12
1.8.3. Liability	12
2. Installation	13
2.1 Positioning and levelling	13
2.2 Electric connection	14
ELECTRICAL INSTALLATION OF A SINGLE-PHASE DISHWASHER	15
THREE-PHASE DISHWASHER ELECTRICAL INSTALLATION	16
2.3 Earthing	18
2.4 Water supply	18
2.5 Connection to the water drain	19
2.6 Model with drain pump	19
2.7 Detergents installation	20
2.8 Dishwasher with built-in water softener	20
2.9 Water hardness measurement	21
2.9.1 Electronic dishwasher setting	21
3 How to use the dishwasher	21
3.1 Type of use	21
3.2 Use conditions	22
3.3 Dishwasher types	22

<b>3.4 Use limits</b>	<b>22</b>
<b>3.5 Operator</b>	<b>22</b>
<b>4 Instructions for use of the electronic dishwasher with LCD display</b>	<b>22</b>
<b>4.0 Day and time setting</b>	<b>23</b>
<b>4.1 Check general operation</b>	<b>23</b>
<b>4.2 Safety devices</b>	<b>23</b>
<b>4.2.1 General safety devices</b>	<b>23</b>
<b>4.2.2 Alarm signals</b>	<b>23</b>
<b>4.2.3 Indicators and warning lights</b>	<b>23</b>
<b>4.2.4 Interlock devices</b>	<b>24</b>
<b>4.2.5 Removable and adjustable safety guards</b>	<b>24</b>
<b>4.3 Safety measures</b>	<b>24</b>
<b>4.4 Unladen test</b>	<b>25</b>
<b>4.5 Washing operations</b>	<b>25</b>
<b>4.6 Operation of electronic dishwasher with LCD display</b>	<b>26</b>
<b>4.6.1 Energy Saving</b>	<b>29</b>
<b>4.7 End of service</b>	<b>29</b>
<b>4.8 Thermostop</b>	<b>30</b>
<b>5 Instructions for disassembly</b>	<b>31</b>
<b>6 Maintenance</b>	<b>31</b>
<b>6.1 LCD display maintenance</b>	<b>34</b>
<b>6.2 Machine maintenance</b>	<b>35</b>
<b>7 Residual hazards</b>	<b>35</b>
<b>8 Instructions for emergency situations</b>	<b>35</b>
<b>9 Troubleshooting</b>	<b>36</b>
<b>9.1 Electronic dishwasher warnings and alarms</b>	<b>39</b>
<b>10 Personnel training</b>	<b>41</b>
<b>11 Useful tips</b>	<b>41</b>
<b>12 Instructions for disposal</b>	<b>42</b>
<b>WARNING</b>	<b>42</b>

## SYMBOLS KEY

SYMBOL	DESCRIPTION
	<b>ATTENTION - RISK OF INJURIES</b> This symbol marks information and warnings which if not respected can jeopardise personal safety or damage the appliance.
	<b>ELECTROCUTION HAZARD</b> This symbol marks information and warnings which if not respected can jeopardise personal safety or damage the appliance.
	<b>BURNING HAZARD</b> This symbol marks information and warnings which if not respected can jeopardise personal safety or damage the appliance.
	<b>DANGER OF FALLING</b> This symbol marks information and warnings referring to situations when using the product, where lack of attention can jeopardise personal safety.
	<b>READ ALL THE INSTRUCTIONS</b> read and fully understand all the instructions contained in this manual. Keep the Manual in a place that is easily accessible to the dishwasher user in order to allow consultation with speed and convenience. Do not use the dishwasher if the manual cannot be consulted.

## WARNINGS


Please read the following general warnings carefully.

- ▶ Dear customer we inform you that the product purchased is a dishwasher
- ▶ This appliance must only be used to wash food-type dirt from glasses, cups, dishes and similar products, the residues of which have previously been removed also by means of pre-soaking without detergents as explained in the "Instructions for Use" chapter of this manual. The dishwasher may only be used to wash plates and glasses commonly used in bars and restaurants. Any other kind of usage is strictly forbidden. The dishwasher was NOT designed to wash dishes or accessories made of plastic, to wash glass that can explode on contact with hot liquids or to wash bottles and material for infants, such as crockery or equivalent containers.
- ▶ Please make sure you have fully read and completely understood this manual before using the dishwasher.
- ▶ The manual must be kept within the user's reach so that it can be consulted easily and quickly. Should it be damaged, destroyed or lost, please ask your constructor for a new copy (see para. 1.4 - PART TWO)
- ▶ **Do not use the dishwasher if you cannot consult the manual.**
- ▶ Follow the Instruction and Maintenance Manual with the utmost care both for use and maintenance operations.

The dishwasher has been designed and manufactured in compliance with EMC Regulations EN55014-1:2006+A1:2009+A2:2011; EN55014-2:2015; EN61000-3-2:2014; EN61000-3-3:2013 Safety Electrical EN60335-2-58:2005 (incl. Corr.:2007)+A1:2008+A11:2010 used in conjunction with EN60335-1:2012; EN62233:2008 (incl. Corr.:2008).

- ▶ The maximum noise level of our dishwashers is 74.3dB and the KpA value = 2.5db
- ▶ The dishwasher must only be used by trained operators.  
Untrained operators must be supervised by a manager or a colleague with sufficient experience in the use of dishwashers until it is considered they have acquired adequate experience to operate it independently.
- ▶ Children must be supervised to ensure they are not playing with the machine;
- ▶ This appliance is not intended to be used by persons (children included) with reduced physical, sensory or mental capabilities or with insufficient experience and knowledge, unless they have received assistance or instructions for use of the appliance from a person responsible for their safety.
- ▶ The use of the machine by operators who are not legally employed is forbidden.
- ▶ Always keep the dishwasher and the area around it clean, so that the operator and their equipment can transit quickly and safely. Do not pile up objects or other material that could prevent easy access to the door.
- ▶ In the event of danger, immediately remove the power supply to the dishwasher by pressing the power button or by disconnecting the appliance from the mains.
- ▶ The positioning, installation and commissioning of the dishwasher must be carried out by adequately qualified and certified personnel.

The dishwasher can operate in a temperature range of +10 to + 50°C.

- ▶ The electrical connection must be carried out in compliance with the current regulations of the country in which the machine is installed.
- ▶ Before connecting the machine, make sure that the voltage and frequency of the mains correspond to what is indicated on the data plate and that the machine is connected to an effective earthing system;
- ▶ At the back of the machine there is a clamp marked with the symbol  necessary for the equipotential connection between the various devices.
- ▶ The machine must be protected upstream against overloads and short-circuits by an omnipolar magnetothermic switch, with adequate breaking capacity, or by an underload disconnecter and fuses of the gL type of suitable capacity. A residual current circuit breaker coordinated with the resistance value of the user's earthing system must be installed immediately downstream of the circuit breaker switch of the sectioning switch/fuses against indirect contacts.
- ▶ The maximum supply water temperature is 55°C.
- ▶ The water supply pressure must respect the limits indicated in the technical data (200/350 kPa)
- ▶ After washing, switch off the dishwasher if it is no longer needed.
- ▶ Clean the filter every day.
- ▶ Clean the whole dishwasher at least once a week.

- ▶ Check the integrity of the power cord daily, especially if the point of connection to the mains is not near the dishwasher.
- ▶ The power cord supplied with the machine is of the H07RN-F type. If the cord is damaged, disconnect the dishwasher from the mains and immediately contact an authorised service centre to replace the cable.
- ▶ Position the cord appropriately, avoiding situations in which it could be damaged (avoid repeated trampling of the cord, passage of the cord under doors, etc.).
- ▶ Perform regular maintenance, as indicated in the Instruction and Maintenance Manual.
- ▶ Maintenance activities must only be carried out when the dishwasher is switched off and disconnected from the power supply and with the tank empty.
- ▶ Before performing maintenance, wait for elapse of the resistances cooling time (at least 5 minutes). Do not open the dishwasher door/lid if the cycle is in progress. As an interlocking device, a microswitch is used, located on the dishwasher door that stops the water jet in the dishwasher, but does not remove the electrical voltage from the machine.
- ▶ Ordinary maintenance activities must be carried out safely using protective gloves and goggles.
- ▶ Never use the appliance with wet hands or feet
- ▶ Never immerse bare hands into the tank water
- ▶ Extraordinary maintenance, repair and replacement of components must be performed by suitably qualified and certified personnel. Use only original spare parts. The manufacturer declines all responsibility for accidents to persons or property arising from the use of incompatible and/or non-original spare parts
- ▶ The degree of protection of the machine is IPX1 and therefore must not be washed with high pressure water jets or steam nozzles.
- ▶ It is forbidden to use the dishwasher with detergents or rinse aid products of a type different from the recommended one (such as dishwashing powder, washing powder and rinse aid for domestic dishwashers), or to use descalers that are corrosive, acidic and in general unsuitable cleaning liquids or powders. Do not add bleach to the washing tank.
- ▶ Use only liquid industrial detergent and rinse aid products such as those supplied by us or with an equivalent composition suitable for dosing using the dosing pumps already installed inside the dishwasher.
- ▶ Never use scouring pads or wire brushes to clean the dishwasher
- ▶ Do not use the appliance upside down. Do not climb onto the door or above the dishwasher as this could result in the risk of it tipping over.
- ▶ The dishwashers with square 350x350, 400x400 and with round basket Ø350 and Ø400 are not suitable for dishwashing.

**N.B. The manufacturer declines all responsibility for accidents to persons or property deriving from non-observance of the afore-mentioned regulations or from improper use, maintenance or repair.**

## ATTENTION!



# ELECTROCUTION HAZARD

## PART ONE

### 1. Purpose of the information contained in PART ONE

The purpose of the information contained in PART ONE is to inform the Customer about the necessary data for correct identification of the dishwasher.

### 2. Reference standards

The dishwasher has been designed and manufactured in compliance with EMC Regulations EN55014-1:2006+A1:2009+A2:2011; EN55014-2:2015; EN61000-3-2:2014; EN61000-3-3:2013 Safety Electrical EN60335-2-58:2005 (incl. Corr.:2007)+A1:2008+A11:2010 used in conjunction with EN60335-1:2012; EN62233:2008 (incl. Corr.:2008).

This dishwasher also complies with the Safety and Work Hazard Prevention Regulations (applicable to dishwashers) in force at the date of manufacture.

The dishwasher's connection with a suitable residual current operated circuit-breaker according to IEC 947 standard (type 1 coordination) is highly recommended; the maximum noise level of our dishwashers is 74.3dB and the value  $K_{pa}=2.5db$

### 3. Applicability

The instructions found in this manual are only suited for the type of dishwasher specified.

### 4. Transportation

The machine is packed in a heavy cardboard crate when transported (fig. 1).

The dishwasher weight may vary between 50 and 170 kg if packed on a pallet, according to the model.

## ATTENTION!

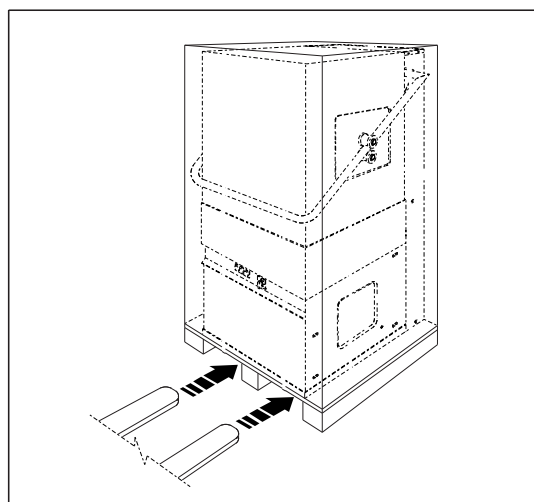


# INJURY HAZARD

**THE USE OF EQUIPMENT AND THE OPERATIONS NOT SUITED TO LOADING, UNLOADING AND HANDLING OF THE DISHWASHER MAY DAMAGE BOTH THE PERSONNEL IN CHARGE OF SUCH OPERATIONS AND THE MACHINE ITSELF. THE MANUFACTURER RECOMMENDS COMPLYING WITH THE STANDARDS ON LOADING, UNLOADING AND HANDLING IN FORCE IN THE COUNTRY WHERE THE DISHWASHER IS USED.**

**THE MANUFACTURER DECLINES EVERY RESPONSIBILITY FOR DAMAGE TO THINGS OR PERSONS CAUSED BY IMPROPER USE OF THE EQUIPMENT OR BY PROCEDURES NOT SUITED TO AND/OR NOT SUITABLE FOR LOADING, UNLOADING AND HANDLING OF THE DISHWASHER.**

Fig. 1



Once the dishwasher has arrived at its destination, check the transport documents and the number of packs. Should you find any discrepancy between the documents



and the items delivered, contact your Dealer immediately.

Carefully check the condition of the packaging: if it proves to be faulty or broken or with signs of incorrect handling, immediately inform the Supplier.

Please do not throw the packaging accessories away as they may be needed to ship the machine back to your Dealer.

## 5. Instructions for transportation, storage, unpacking and assembly

### 5.1 Transportation

All dishwashers are packed on pallets and cardboard crimped to the pallet. The dishwasher must only be moved by forklift truck or transpallet, taking care to keep the dishwasher balanced, avoiding sudden movements. Do not lay the dishwasher down, respect the vertical positioning as shown by the arrow printed on the cardboard.

### 5.2 Storage

If the dishwasher is to be stored, ensure that the storage environment temperature is between +5 and +45°C, with humidity below 80%. The dishwasher must be packed in its original packaging (pallet and cardboard) and in a vertical position as shown by the arrow printed on the cardboard. The pallet can be placed on the ground on a dry and dust-free floor, or on a pallet holder, ensuring that the maximum load indications shown on the pallet holder are respected, and secured to prevent falls due to impact or vibration. It is not permitted to stack other material on top of the dishwasher cardboard.

Periodically check the correct position of the packaged dishwashers and the integrity of the packaging.

### 5.3 unpacking and assembly

## ATTENTION!



## INJURY HAZARD

**PLEASE PAY SPECIAL ATTENTION DURING UNPACKING AND ASSEMBLING OPERATIONS BECAUSE OF THE INSTABILITY OF THE DISHWASHER.**

The unpacking/assembling instructions are only valid if the machine is installed by the Customer themselves.

1. Open the cardboard packaging carefully (fig. 2).

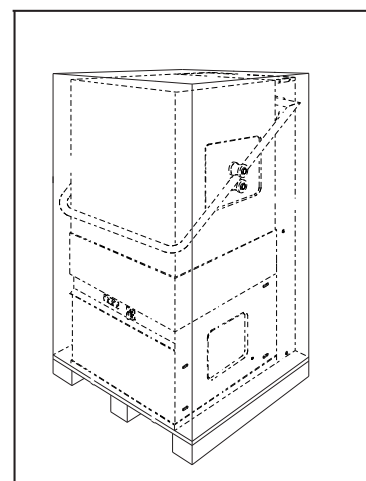


Fig. 2

2. Loosen the two A screws that fasten the dishwasher to the transportation pallet (fig. 3)

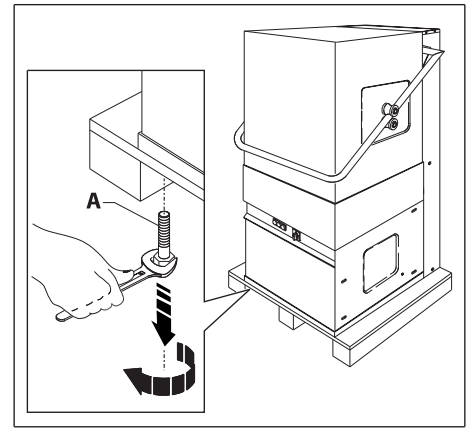


Fig. 3

3. Move the machine on the pallet until freeing of two of the four holes for insertion of the support feet (fig. 4).  
Take one of the supplied feet and tighten the screw in one of the two seats vacated (fig. 4).  
Proceed with installation of the second foot following the the same procedure (fig. 4).

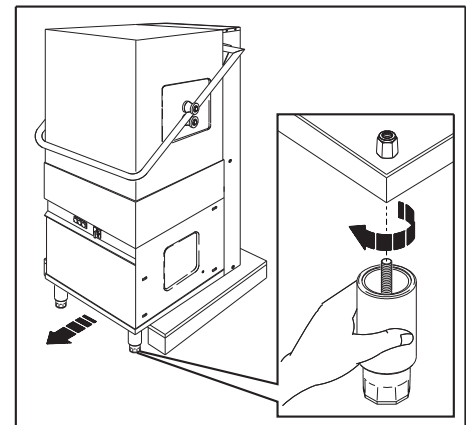


Fig. 4

4. Slide the machine further off the pallet until the first side is standing on its own two feet and the other is still supported by the pallet, so that the two remaining holes are free; then proceed as explained above.

## 6. Dishwasher identification and marking

The dishwasher bears the following identification marks:

- *Company name*
- *CE marking*
- *Indication of model and type*
- *Year of manufacture*
- *Test certificate*

This information is shown on the plate situated on the dishwasher (fig. 5) and can also be found on the declaration of conformity enclosed herewith.

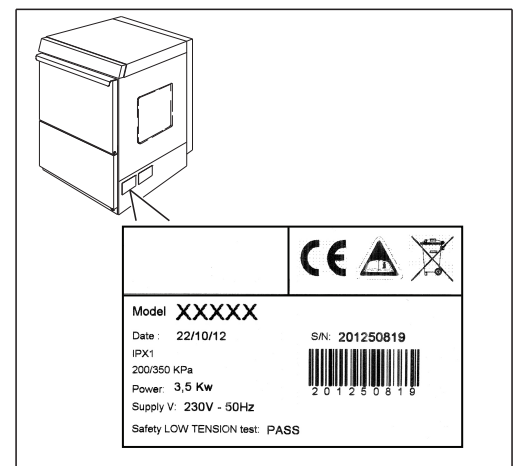


Fig. 5

## 1. Purpose of the Manual

The purpose of this Instruction and Maintenance Manual is to provide a description of the safety measures necessary for the use which must be observed when using the dishwasher.

This Instruction and Maintenance Manual is to be considered an integral part of the dishwasher.

The term User comprises not only the purchaser of the dishwasher, but also the personnel involved in the operating, maintenance, checking and handling operations.

The information contained in this manual concerns installation, putting into service and maintenance operations.

### 1.1. Who should read this manual

This manual is intended for the dishwasher operator and maintenance technician.

### 1.2. Use and preservation of this manual

The purpose of this manual is to provide all the information needed to use and maintain the dishwasher properly, according to the safety standards established by the Machine Directives and the Unified Standards.

For this reason, even if operation of the dishwasher is very simple, the manual must be kept intact and be readily available if required: it must remain close to the place of use, and be clean, legible and intact.

### 1.3. Duration and validity of this manual

This manual is to be considered valid for the entire life of the dishwasher.

It has been drawn up according to the current state-of-the-art technology existing at the time of construction of the dishwasher.

The manual therefore specifically refers to the dishwasher it was provided with, and is also to be considered valid in the event of future updates.

### 1.4. Request for a copy or a new manual

Should your copy of this Manual be lost or damaged, please ask your Manufacturer for a new one.

Copies of the Instruction and Maintenance Manual can be requested by stating the serial number, registration number and year of manufacture of the dishwasher (fig. 5).

Copies are only available for a fee.

### 1.5. Update

The Manufacturer reserves the right to modify the dishwasher whenever necessary and/or to update previous manuals without giving prior notice, except in special cases.

The manual will be updated by the Manufacturer in the following cases:

- if the dishwasher is returned to the Manufacturer for modifications or improvements
- if the manual contains errors or omissions that may prejudice suitable use of the dishwasher in conditions of total safety.

In such cases, the original Manual supplied to the Customer must be returned to the Manufacturer who will provide a new updated copy.

### 1.6. Transfer of ownership

In case of sale or transfer of ownership of the dishwasher, the customer is required to give notice to the manufacturer, specifying the address of the new owner and the date of validity of the sale contract so that the manufacturer may inform the new owner of the limits of their liability.

### 1.7 Customer's suggestions

Customers are invited to communicate any suggestions or proposals they consider helpful to improve the use, legibility or preservation of this manual, in the spirit and terms of our Standards.

To communicate your suggestions, please contact the Manufacturer of this dishwasher.

## 1.8. Liability Limits

**N.B. The manufacturer declines all responsibility for accidents to persons or property deriving from non-observance of the regulations mentioned in this manual or from improper use, maintenance or repair.**

### 1.8.1. Use Limits

This appliance must only be used for the function for which it was designed, that is to wash glasses, cups and similar items which do not exceed the maximum height of the door opening, together with the basket that contains them, as specified for the different models.

The limits of use are determined by the space available and the overall dimensions of the baskets, as well as that of the dishes that may be washed.

The dishwasher may only be used to wash plates and glasses commonly used in bars and restaurants.

The dishwasher was NOT designed to:

*Wash plates, glasses or other accessories made of plastic*

*Wash glass items that could explode when in contact with boiling hot liquids*

*Wash baby feeding-bottles or other plates and food containers for babies.*

Dishwashers with square 350x350, 400x400 and round basket Ø350 and Ø400 are not suitable for dishwashing.

Dishwashers with a 500x600 basket are not suitable for washing glasses.

### 1.8.2. Regulations to be observed

The regulations to be observed refer in particular to:

- ▶ *safety of the operator*
- ▶ *safety of the dishwasher*

The Manufacturer will accept no responsibility whatsoever if the dishwasher is used in such a way as to be in conflict with or that violates the safety regulations in force in the country of use, even if they enter into force during or after purchase.

### 1.8.3. Liability

The Manufacturer will accept no responsibility whatsoever for damage or injury to things or persons in any of the following situations:

- *Misuse of the dishwasher*

The term misuse refers to use of the dishwasher with dishes and items other than those recommended in the paragraph on the Use Limits (para 1.8.1 - PART TWO), which could result in damage or soiling of rotating parts and the splintering and/or explosion of the dishes.

Misuse is also to be considered the use of detergents or rinse aid products other than those recommended (such as dishwashing powder, laundry detergents specific for household dishwashers) or corrosive decalcifying products, acids and other unsuitable liquid or powdery cleaning products.

- *Use of the dishwasher by untrained personnel*

The dishwasher must only be handled by trained personnel. Untrained personnel using the machine should be supervised by a person in charge of the machine, until a certain degree of skill and safety has been achieved in correct use of the dishwasher.

- *Use not in compliance with national safety standards*

The use of the machine by operators who are not legally employed is forbidden.

- *Incorrect installation*

The dishwasher must be properly installed, both mechanically and electrically, and positioned in a suitable place that does not create difficulties for operators during its use.

This manual provides instructions referring to proper installation, when this is carried out by the Customer.

- Faulty power supply

A faulty mains power supply can cause damage to the internal motor pump and to the electrical parts of the dishwasher.

The Manufacturer accepts no responsibility for any damage caused by use of the machine with power supply voltages not in accordance with the relative Standards, namely:

- lower voltage limit: -10% of nominal voltage rating
- upper voltage limit: 250 Vac for 220 V single-phase nominal voltage rating and 440 V for three-phase nominal voltage rating 380 V.

- Failure to carry out regular, prescribed maintenance (see chap.6 – PART TWO)

Failure to carry out regular, ordinary maintenance is likely to cause damage or malfunction.

- Unauthorised modifications or tampering

The dishwasher cannot be modified or tampered with in any part whatsoever.

- Use of non-original or unsuitable spare parts for the specific model

We recommend contacting the authorised sales office when purchasing spare parts and, in any case, using spare parts only recommended or supplied by the Manufacturer.

- Total or partial non-observance of the instructions for use

## ATTENTION!



### SHOCK HAZARD

**THIS MANUAL MUST BE READ CAREFULLY AND UNDERSTOOD BEFORE INSTALLING AND USING THE DISHWASHER.**

**Total or partial ignoring of the instructions for use of the dishwasher may expose personnel to safety hazards and cause damage to the machine.**

- Natural events

In the case of exceptional events such as earthquakes, flooding, etc., the Manufacturer does not assume any responsibility for damage to things or persons due to the use of the dishwasher in the afore-mentioned conditions or even for total or partial reconditioning of the same.

## 2. Installation

## ATTENTION!



### SHOCK HAZARD

**Installation operations are to be carried out by qualified personnel in compliance with the following instructions.**

### 2.1 Positioning and levelling

The Manufacturer delivers the dishwasher already assembled and complete with all the accessories necessary to be used properly.

If possible, place the dishwasher close to the electric and water mains connections. The machine must be levelled on a flat surface by turning its 4 adjustable feet (fig. 6).

If the machine is recessed in undercounter installations, its side and back panels may be joined to adjacent furniture or walls. The load and drain pipes may be left or right oriented, but once the machine is positioned, the pipes and the electric cable must not be bent or compressed.

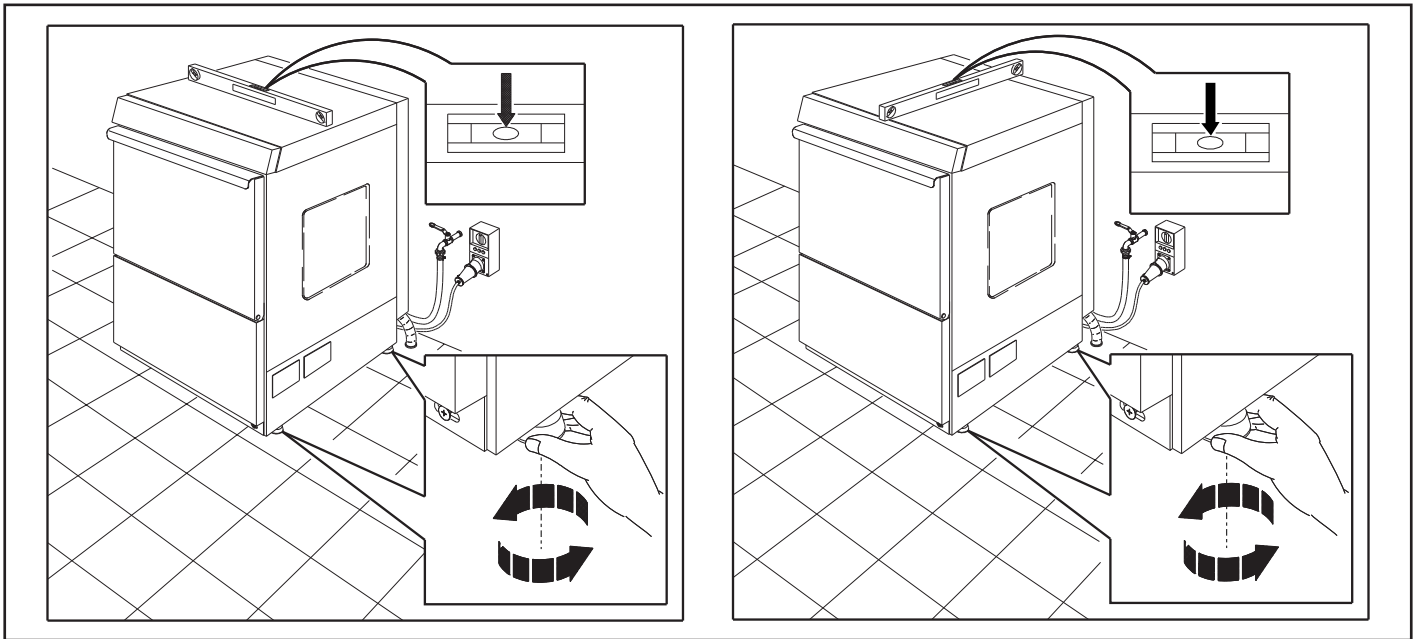


Fig. 6

## 2.2 Electric connection



### ATTENTION!

The electrical connection must be carried out in compliance with the laws in force in the country in which the machine is installed.

Before connecting the machine, make sure that the voltage and the frequency of the electrical supply system correspond to that indicated on the plate and that the machine is connected to an efficient earthing system;

On the back of the machine there is a clamp marked with the  symbol, necessary for the equipotential connection between the different appliances.

The machine must be protected upstream against overcharges and short-circuits by an omnipolar thermal magnetic switch, with sufficient power of interruption, or by a load switch and gL-type fuses with adequate rate of flow.

A residual current circuit breaker coordinated with the resistance value of the user's earthing system against indirect contacts must be installed immediately downstream of the magnetothermal switch or of the circuit breaker/fuses.

The power cable supplied with the machine is H07RN-F-type.

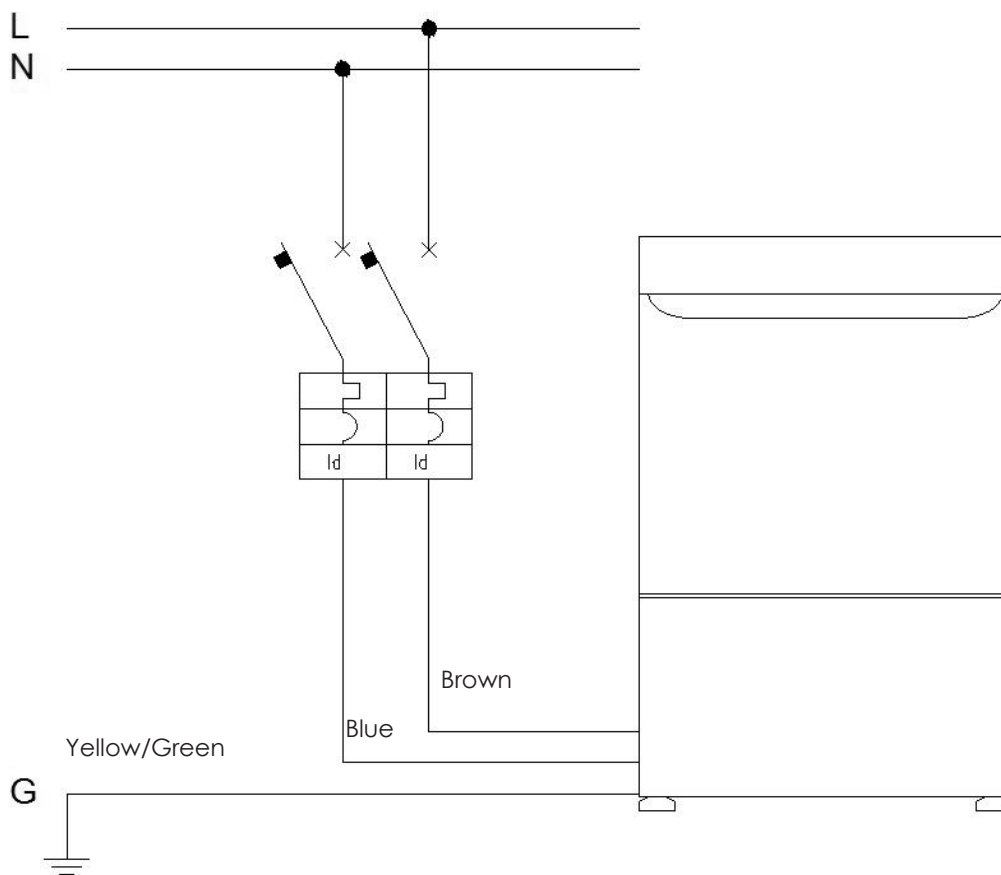
## ELECTRICAL INSTALLATION OF A SINGLE-PHASE DISHWASHER

### Single-phase dishwasher with Schuko 230V+T plug

If the dishwasher is fitted with a plug, insert it into the wall socket. Connect the device to the equipotential system via the appropriate terminal on the back of the dishwasher.

### Single-phase dishwasher without 230V+T plug

If the dishwasher does not have an electrical plug, perform connection as follows:



Brown wire: line

Blue wire: neutral

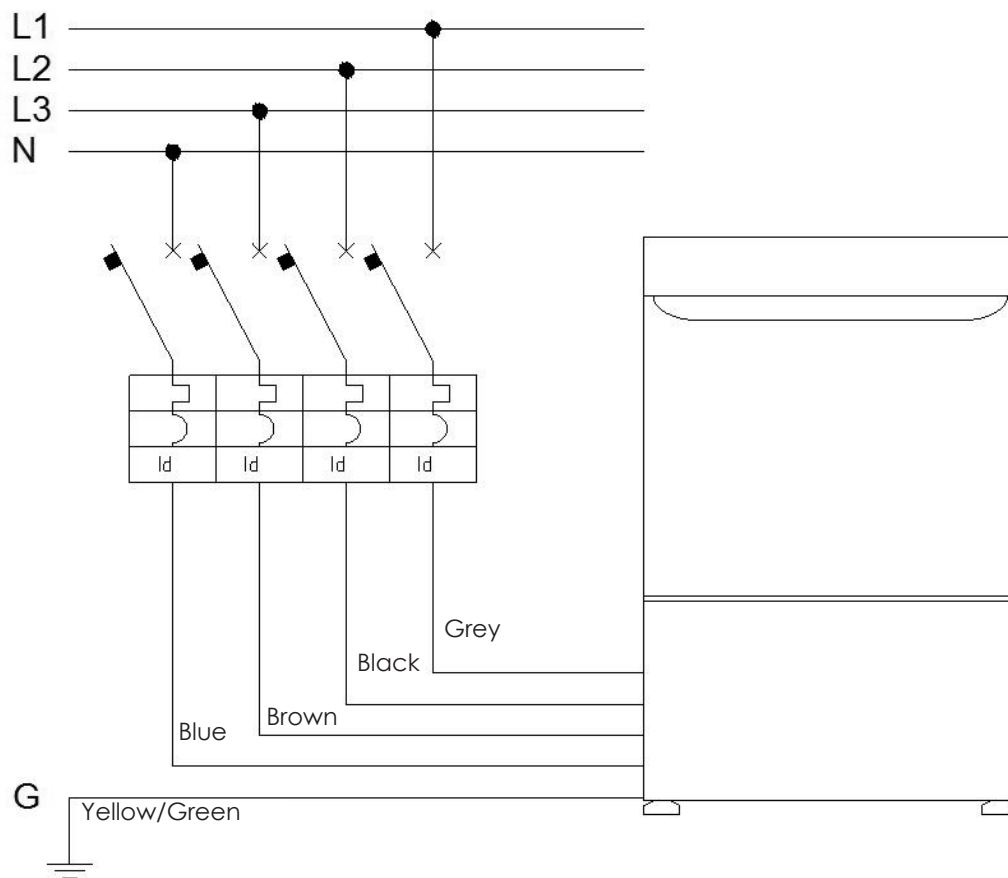
Yellow/green wire: earthing system

Connect the device to the equipotential system via the appropriate terminal on the back of the dishwasher

## THREE-PHASE DISHWASHER ELECTRICAL INSTALLATION

### 400V3N+T three-phase dishwasher

The 400V three-phase dishwashers are always 5-pole and therefore fitted with a neutral conductor. Perform connection as follows:



Brown wire: line 1

Black wire: line 2

Grey wire: line 3

Blue wire: neutral

Yellow/green wire: earthing system

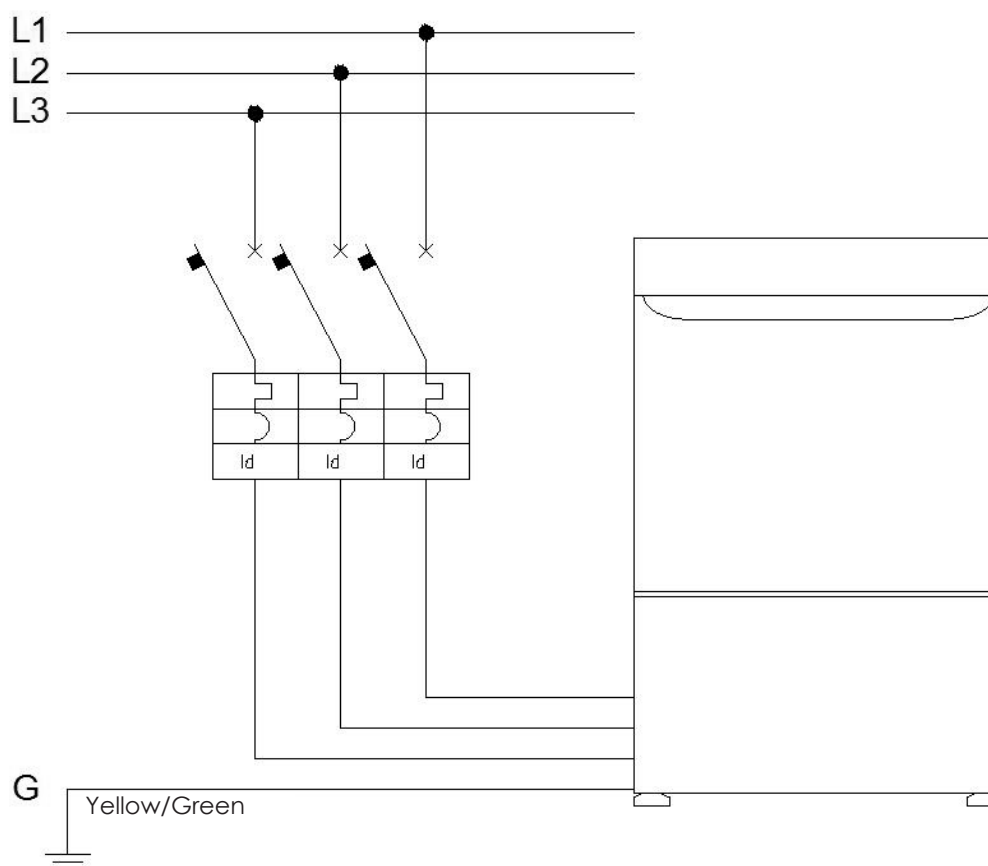
If the dishwasher is provided with a three-phase motor, check for correct rotation of the pump following the instructions supplied with the dishwasher.

If the pump should rotate in the direction opposite to the arrow on the pump cover, invert L1 and L2. Connect the device to the equipotential system via the appropriate terminal on the back of the dishwasher.



## 230V3+T three-phase dishwasher (optional upon request)

230V three-phase 4-pole dishwashers are only provided upon express request when ordering. Subsequent transformation of the dishwasher may require the replacement of certain components. Perform connection as follows:



Brown wire: line 1

Black wire: line 2

Grey wire: line 3

Yellow/green wire: earthing system

If the dishwasher is provided with a three-phase motor, check for correct rotation of the pump following the instructions supplied with the dishwasher.

If the pump should rotate in the direction opposite to the arrow on the pump cover, invert L1 and L2. Connect the device to the equipotential system via the appropriate terminal on the back of the dishwasher.

### Dishwasher without power cord

If the dishwasher is supplied without an electric cable, follow the attached instructions to connect it to the mains.

Connect the device to the equipotential system via the appropriate terminal on the back of the dishwasher.

## 2.3 Earthing

The dishwasher must be connected to the earthing system of the building or to another tested and approved system in compliance with the safety regulations.

---



### ATTENTION!

It must however be understood that an efficient earthing system is not enough on its own to ensure safe conditions. It will therefore be necessary to install suitable safety devices capable of interrupting the mains power supply with intervention times in compliance with the IEC 64-8 Regulations or with the other equivalent European Standard referring to electrical systems in public buildings.

---

## 2.4 Water supply

Connect the load pipe supplied with the dishwasher to a  $\frac{3}{4}$ " water intake, using it to replace any existing pipes.

The highest water supply temperature is 55°C.

The water supply pressure must respect the limits indicated in the technical data (200/350kPa).

Further indications:

- *It is advisable to use the pressure regulators if hydraulic supply takes place through autoclave at a pressure greater than that of normal operation of the water mains.*
- *If the water pressure available is less than 1.5 bar, to ensure rinsing it is necessary to install an external pump to increase pressure.*
- *If the water has a hardness above 14°f, a water softener should be used to prevent external lime deposits and unsatisfactory washing results.*
- *If water hardness is higher than 14°f, limestone forms.  
If water hardness is lower than 8°f, the dishes will not be rinsed properly.*

The connection to the water supply is to be carried out by means of a normal screw-on attachment to a water valve fitted with a handle or hand wheel (fig. 8).

It is advisable to place a suitable gasket in the connection between the supply hose and the tap (fig. 8).

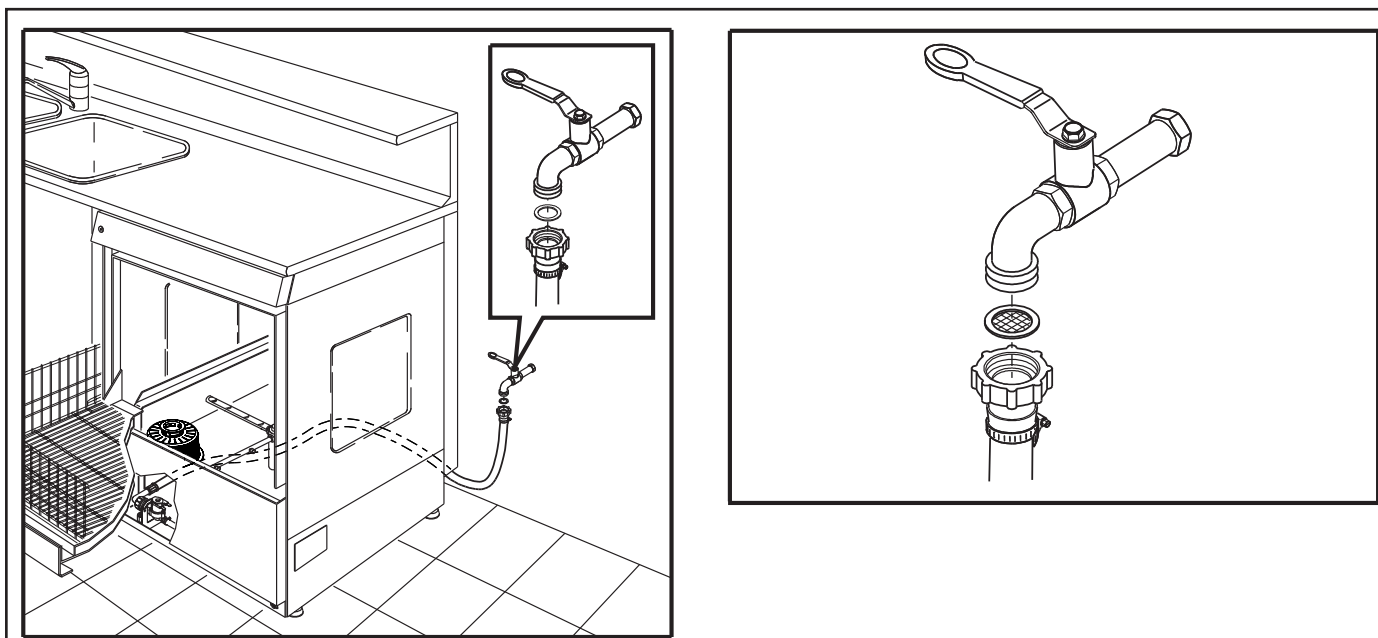


Fig. 8

## 2.5 Connection to the water drain

On the back of the machine there is an elbow connector which can be easily orientated towards the nearest drain well. (fig.9)

Whenever water drain cannot be by gravity, the model with a built-in drain pump must be specifically requested (fig.10): see in this regard para. 2.6 - PART 2.

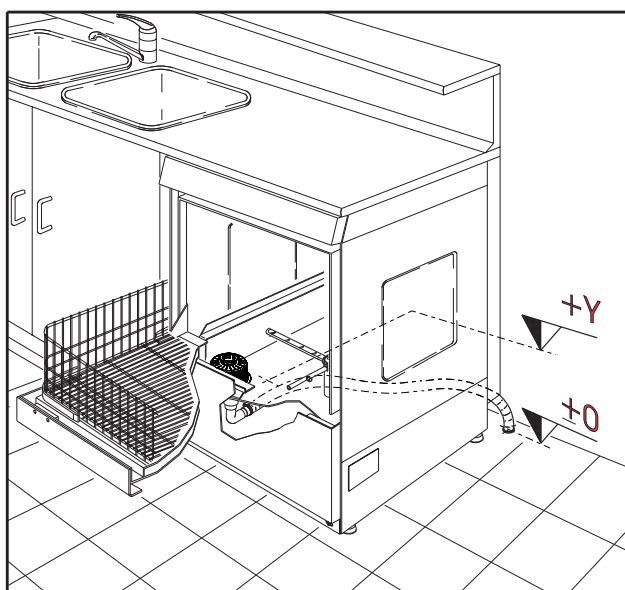


Fig. 9

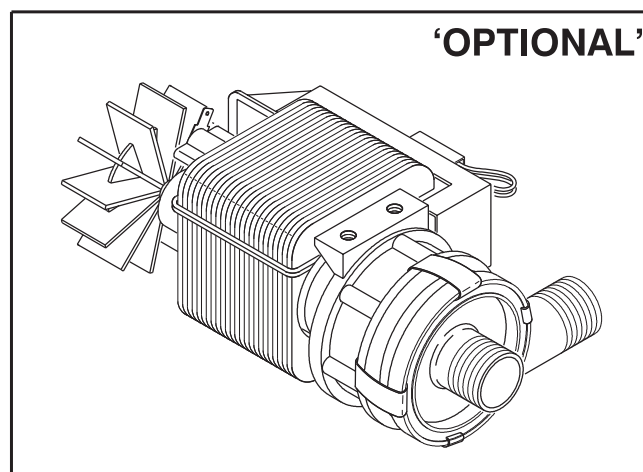


Fig.10

## 2.6 Model with drain pump

The end of a drain hose can be hooked-up to the edge of a sink, or connected to an outlet in the wall; this outlet must be provided with an air breather or have a diameter larger than that of the drain hose to allow the passage of air.

If an extension is required, it must not exceed 2 m in length.

Avoid exceeding the difference of 40 cm between the point of connection of the drain hose and the base of the dishwasher.

Make sure that the drainage pipe is always positioned on a slope and that it does not create pockets, siphon curves.



## ATTENTION!

In the case of attaching to the edge of a sink, place the end of the exhaust pipe so that the drain water can not reach outlets or electrical equipment.

### 2.7 Detergents installation

The dishwasher is equipped with a blue tube for drawing of the rinse aid and a yellow tube for drawing of the detergent. Before inserting the tubes into their respective tanks, it is advisable to apply the weight and the filter supplied with the dishwasher to the end of these tubes (fig.A). The ceramic weight ensures drawing of the product from the bottom of the tank.

**Important: never place the tubes into the tanks without having installed the filter; any crystallised parts of the product will seriously damage the dispensers.**

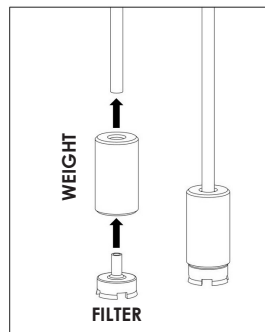


Fig. A

It is advisable to keep the detergent and rinse aid tanks in sight in order to continuously verify the presence of the product. Replace the tanks as soon as the product runs out.

### 2.8 Dishwasher with built-in water softener

If the machine is equipped with automatic water softener; this will regenerate during the wash cycle with a frequency set by the installer during installation of the dishwasher. Regeneration takes place automatically and no specific action is required by the user.

Until initial installation, the display will show the message "NO SALT". Introduce into the tank (fig. B) 1 kg of salt and add warm water to facilitate dissolution of the salt. The message will only disappear when the salt has completely dissolved.

Every time the display shows the message "NO SALT" it will be necessary to top up the salt. It is advisable to use a specific salt for dishwashers with coarse grain (1-4mm), taking care not to disperse it on the bottom of the tank to prevent oxidation of the steel which could impede correct functioning of the dishwasher. After filling the container, screw the cap back on tightly. Autonomy with 1 kg of salt depends on the hardness of the incoming water, which is set by the installer during installation of the dishwasher. It is advisable to immediately restore the salt as soon as the message "NO SALT" appears on the display to avoid lime scale formation which could compromise the machine components, in this case not covered by warranty.

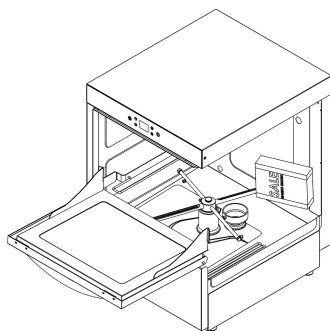
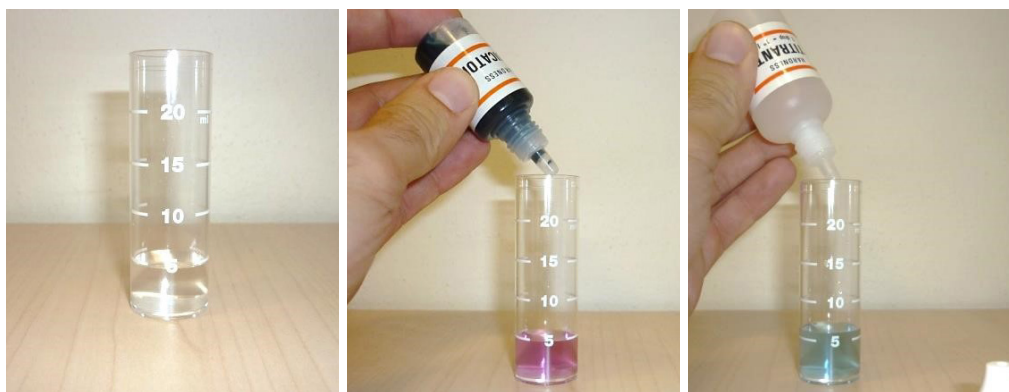


Fig. B

## 2.9 Water hardness measurement

Use the kit supplied with the dishwasher to measure the incoming water hardness:

- Remove 5 ml of water into the appropriate cup
- Pour into the water sample 1 drop of indicator (blue vial)
- Add the titrating solution (transparent vial) drop by drop and shake the tube after each drop, counting the necessary drops to make the water turn clear blue. Every drop added corresponds to 1°f
- The total number of drops counted will correspond to the hardness of the water being tested. This value must be entered in the menu of the dishwasher as described below



### 2.9.1 Electronic dishwasher setting

Upon initial installation as soon as the dishwasher is powered, the user is prompted to enter a number of parameters:

- Language selection: Select the language with the arrow keys and confirm by pressing the On-Off key
- Inlet water hardness: Set with the arrows the hardness measured with the kit supplied (see paragraph 2.9) and confirm by pressing the On-Off key
- Inlet water temperature: Set with the arrows the inlet water temperature and confirm by pressing the On-Off key
- Note: it is only necessary to confirm a temperature range between 4÷30°C, or between 31÷40°C, or >41°C
- Filling of detergent and rinse aid tubes: upon the request for tube filling, tap the YES key to proceed with filling (see next point) or tap NO to exit programming of the dishwasher
- After introducing the tubes into the respective tanks confirm with the On-Off key. Filling now takes place which lasts for approximately 5 min. To cancel the procedure, press and hold the On/Off key.

When the wizard finishes the dishwasher shows "Stand-by"

## 3 How to use the dishwasher

### 3.1 Type of use

The dishwasher has been designed for washing dishes commonly used in bars and restaurants.

### 3.2 Use conditions

The dishwasher may be used under any condition, providing that the operating temperature range is between +10 and +50°C.

It must only be used with an operator present.

In any case, avoid using the dishwasher in open spaces, such as in uncovered areas, improvised sheds, or other temporary installations.

### 3.3 Dishwasher types

Items that can be washed:

- *for the glass-washer models: glasses, cups, coffee cups, stemware, saucers and fruit dishes, in compliance with what is indicated in the paragraph on Use Limits (para. 1.8.1 – PART TWO).*

- *for all the other models: all types of dishes, crockery and glasses within the limits determined by the size of the baskets, in compliance with the standards stated in the paragraph on Use Limits (para. 1.8.1 – PART TWO).*

### 3.4 Use limits

The dishwasher must be used for washing dishes stacked flat in the basket inside the machine, up to its full carrying capacity, with no overlapping (fig. 11).

Moreover, make sure that the dishes do not prevent the rotors from turning.

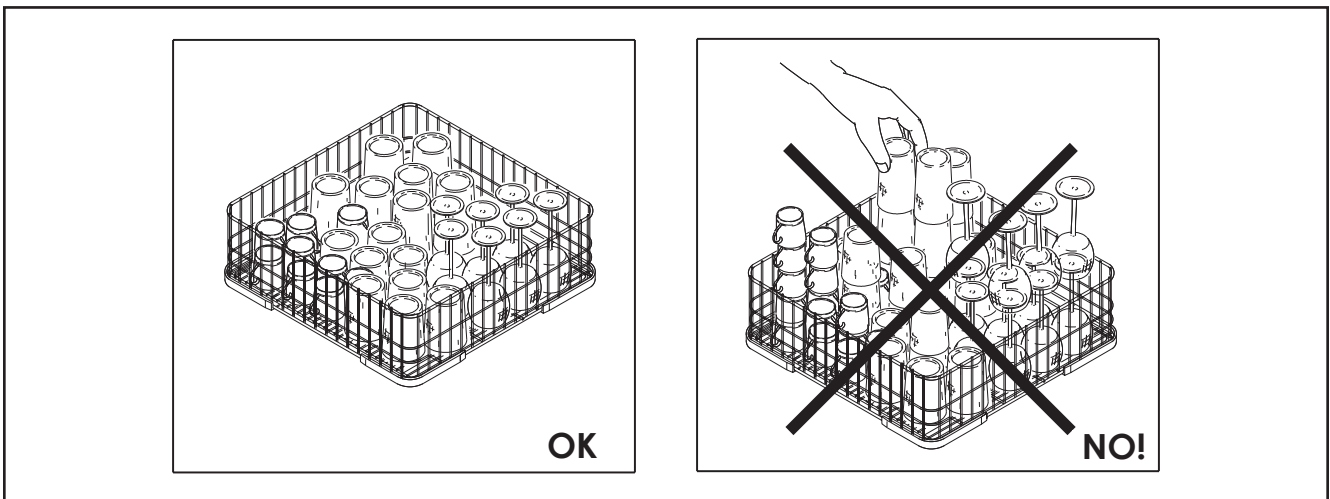


Fig. 11

### 3.5 Operator

The operator should have sufficient experience in the use of equipment commonly supplied to public businesses to prevent incorrect handling.

In any case, the simple commands and ease of operation when using the dishwasher facilitate acquiring of the necessary experience in a very short space of time.

The operator must always be aware of the risks (i.e. shock and burn hazards) due to use of any dishwasher.

The operator must be trained with special attention in the following cases:

- *temporary employees, with little or no experience;*
- *personnel with little or no service practice;*
- *personnel with local language comprehension difficulties;*
- *physically disabled personnel with limited movement capabilities.*

## 4 Instructions for use of the electronic dishwasher with LCD display

This appliance must only be used by trained personnel and employed solely for the washing of glasses, saucers, cups and similar item, in compliance with the Use Limits described in par. 1.8.1 –

PART TWO).

#### 4.0 Day and time setting



The dishwasher is equipped with an internal clock and a calendar. In case of power failure the settings are retained as the electronic card is equipped with a back-up battery.

To adjust the date and time follow these steps:

Switch the dishwasher off (Stand-By displayed)

Hold pressed simultaneously the keys  

The first screen that is displayed is the one relating to the time setting.

Use the arrow keys   to change the value displayed.

Press the key  to switch to the minutes setting.

Use the arrow keys   to change the value displayed.



Press the key  to switch to the day setting.

Use the arrow keys   to change the value displayed.

Press the key  to switch to the month setting.

Use the arrow keys   to change the value displayed.

Press the key  to switch to the year setting.

Use the arrow keys   to change the value displayed.

The rinse key  allows returning to the previous item.

At the end of the settings, keep the key  pressed to save the date and to exit the menu.

#### 4.1 Check general operation

Before starting up normal operation, the User should check the functional characteristics of the installation by a visible inspection of connections to the dishwasher.

Regular inspection is also recommended regarding the conditions of connection of hoses and electric power supply cables (see chap. 2 – PART TWO).

#### 4.2 Safety devices

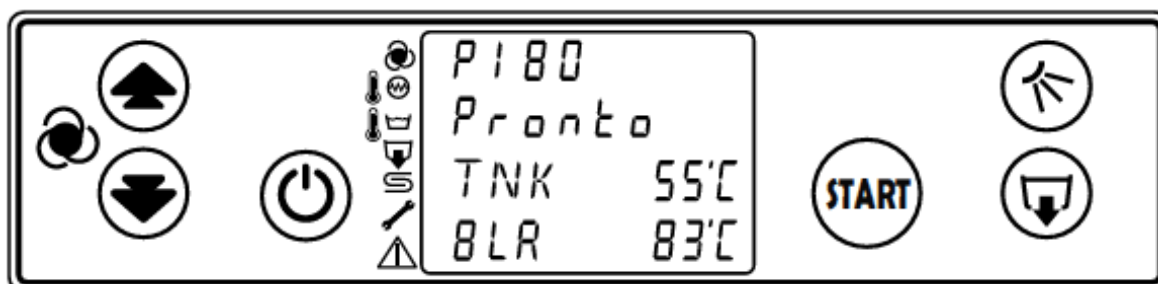
##### 4.2.1 General safety devices








The dishwasher is enclosed inside metal cabinets that can only be opened using appropriate tools.

##### 4.2.2 Alarm signals

In the event of a fault, the display shows an alarm code and a brief description of the type of error that has occurred.

##### 4.2.3 Indicators and warning lights



<b>CYCLE INSERTED</b> The washing cycle is running		<b>REGENERATION</b> Insufficient salt or regeneration in progress (only with built-in water softener)	
<b>BOILER HEATING</b> If heating is in progress the square flashes, if heating is reached the square is fixed		<b>MAINTENANCE REQUEST</b> Servicing of the dishwasher is requested	
<b>TANK HEATING</b> If heating is in progress the square flashes, if heating is reached the square is fixed		<b>ALARM</b> Presence of anomaly	
<b>DRAIN</b> Drain in progress (only with drain pump installed)			

#### 4.2.4 Interlock devices

As an interlocking device, a microswitch is used, fitted on the dishwasher door and positioned in such a way that it cannot be tampered with.

This micro switch stops the water intake in the event that the door is opened, without switching off the power supply on the machine.

If the door is opened during the wash cycle, the cycle is cancelled.

Upon closing of the door it is necessary to restart the cycle.

If the door is opened during heating of the tank, heating is interrupted.

#### 4.2.5 Removable and adjustable safety guards

No adjustable or removable guards are provided, as they are not necessary.

### 4.3 Safety measures

Several basic rules must be complied with when using the dishwasher:

- The dishwasher must never be removed from its original position when working
- Make sure the water supply tap is open before turning the appliance on
- Never clean with corrosive products acids, steel wool or steel brushes
- Never wash the appliance with direct or high-pressure jets of water
- At the end of daily use, switch off the dishwasher
- Inspect the general situation of the machine before use, with particular attention to the electric power supply connections and the operation controls
- The dishwasher must be clean and possibly free from residues from previous wash cycles and in a good working condition. All the auxiliary accessories must be installed correctly and be efficient
- if the dishwasher, for any reason, must remain unused, it is advisable to display a sign with the wording "Out of Service". If necessary, disconnect the dishwasher from the mains
- Always keep the control panel clean and dry
- In the event that a spoon or other small object falls inside the tank, the tank will need to be emptied:

1. switch off the dishwasher using the ON/OFF KEY (see para. 4.6) and disconnect it from the mains

2. remove the overflow pipe (fig. 16)

3. if the dishwasher is equipped with drain pump, before turning it off, remove the overflow tube (fig. 16) and operate the pump by pressing the DRAIN PUMP KEY (see para. 4.6). When draining is finished, the dishwasher switches off. Disconnect it from the mains.



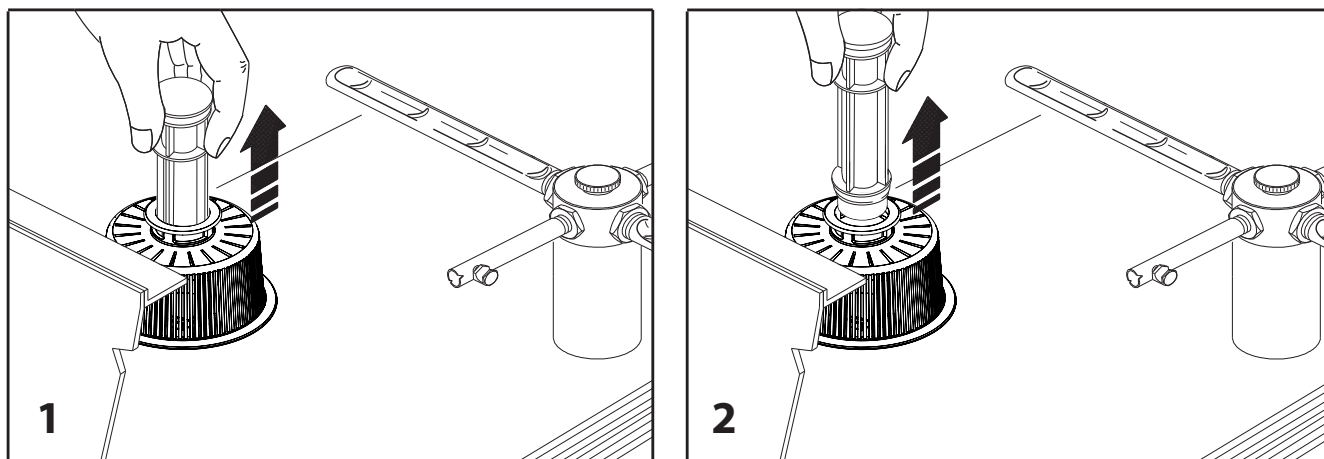


Fig. 16

Wait approximately five minutes to allow the heating elements to cool down before attempting to recover any fallen objects.

### ATTENTION!



## BURN HAZARD

#### 4.4 Unladen test

Before starting the dishwasher, it is advisable to perform an unladen test to make sure that the machine was installed correctly.

#### 4.5 Washing operations

A few basic rules must be observed to ensure correct hygiene for the items being cleaned:

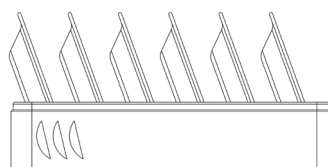
- Remove any residual food from the dishes before washing them in the dishwasher (fig. 13)



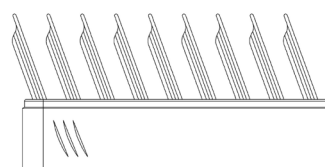
Fig. 13

- frequently replace the water in the tank according to the number of wash cycles that have been performed - at least 3 times a day
- dry the washed dishes with a clean cloth
- do not place the dishes on rubber cloths or on other water-retaining materials
- The wash pump filter must be kept clean and positioned correctly.
- The overflow must be positioned correctly

Pay attention to the correct positioning of the crockery in the 500x500 baskets: soup plates must be placed in the wide grid, while flat plates must be positioned in the narrow grid (refer to the indications printed on the basket). The basket allows the washing of 12 soup plates with a maximum diameter of 26 cm or 18 flat plates with a maximum diameter of 26cm.



Deep plates



Flat plates

## 4.6 Operation of electronic dishwasher with LCD display

Fig. 14 shows the control panel of the dishwasher and command references

CONTROLS	REF.
KEY FOR SELECTION OF THE WASH TIMES	1
ON/OFF KEY	2
CYCLE START KEY	3
EXTRA RINSE KEY	4
KEY FOR SELECTION OF THE WASH TIMES	5
DRAIN PUMP KEY	6
LCD DISPLAY	7

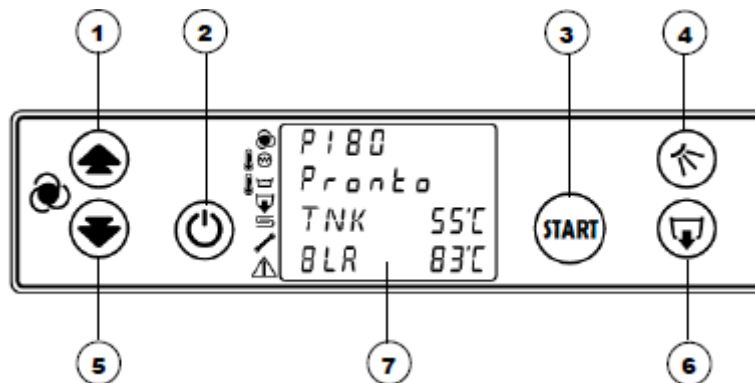


Fig. 14a

DISPLAY LINE	DESCRIPTION ON THE DISPLAY	LCD DISPLAY
1	With dishwasher ready: selected program code During the wash cycle: countdown of seconds to the end In case of anomaly: anomaly code	
2	Dishwasher status e.g. loading, heating, ready (text may be scrolling) In case of anomalies: description of the anomaly	
3	Tank temperature	
4	Boiler temperature In case of anomaly: tips to solve the problem.	

The following pages contain the instructions on the washing operations; some of them are automatically carried out by the dishwasher.



### ATTENTION

**PAY ATTENTION WHEN THE OPENING AND CLOSING THE DOOR/LID OF THE DISHWASHER.  
DO NOT USE THE DISHWASHER WHEN WEARING CLOTHING/ITEMS THAT COULD BECOME CAUGHT IN THE DISHWASHER COMPONENTS, LIMITING CAPACITY FOR NORMAL MOVEMENT.**

PHASE	DISHWASHER TYPE/REFERENCES FIGURE	
	Front loading dishwasher	Dish washer with lid
0. Initial checks	<p>Check that the tank is completely empty and clean</p> <p>Check that the rotors are clean and free to turn</p> <p>Check that the filter is clean and reaches the bottom of the container.</p> <p>Check that the overflow tube is properly inserted in its housing</p>	
1. Switch-on	<p>Close the door of the dishwasher.</p> <p>Tap the ON/OFF KEY (2); the display comes on and shows STAND-BY.</p> <p>Touch the ON/OFF KEY (2); the dishwasher will come on</p>	<p>Close the lid of the dishwasher and push the handle downwards.</p> <p>Tap the ON/OFF KEY (2); the display comes on and shows STAND-BY.</p> <p>Touch the ON/OFF KEY (2); the dishwasher will come on</p>
2. Water loading	<p>The water is automatically loaded into the wash tank until it automatically reaches the top overflow pipe.</p>	
3. Water heating	<p>The water is automatically heated.</p> <p>The display shows the temperature of the tank and boiler. To the side of the display the squares corresponding to the BOILER HEATING (before) and to the TANK HEATING (after) will flash. The heating is concluded when both the squares are on and fixed.</p> <p>Before starting washing, the message "READY" must appear on the display. This message only appears after reaching of the minimum temperatures set by the installer.</p>	
4. Detergents and rinse additive dosage	<p>All dishwashers are equipped with automatic systems for the dosing of detergent and rinse aid; the settings are imposed by the installer at the time of installation.</p> <p>both the detergent and the rinse aid are dosed automatically after loading of the tank and at the end of each wash cycle.</p>	
5. Selecting the washing time	<p>Through the WASHING TIME SELECTION KEYS (1) or (5) it is possible to scroll through the 4 wash cycles available.</p> <p>The washing cycles are identified by a code that appears on the display in the first row at the top. The code consists of a letter that identifies the type of items to be washed, followed by the figures that correspond to the cycle duration expressed in seconds.</p> <p>The abbreviations are as follows:</p> <p>G (Glass): Glasses</p> <p>C (Cup): Small cups</p> <p>D (Dish): Dishes</p> <p>P (Pot): Pots</p> <p>T (Trays): Baking trays</p> <p>F (Flatware): Cutlery</p> <p>See at the bottom of this table the list of wash programmes available depending on the dishwasher model.</p>	

PHASE	DISHWASHER TYPE/REFERENCES FIGURE	
6. Washing	<p>Open the door, introduce the basket with the dishes (making sure the arrangement of the dishes respects the description contained in para. 3.4 – PART 2), close the door and press the CYCLE START KEY (3) to start the washing: the square relating to the CYCLE INSERTED lights up.</p> <p>At the end of the wash cycle the display will start to flash until the basket is removed.</p>	<p>Raise the lid, insert the basket with dishes (making sure the arrangement of the dishes respects the description in para. 3.4 – PART TWO).</p> <p>Lower the lid and press the handle down. The washing cycle starts automatically and the square relating to the ACTIVATED CYCLE lights up.</p> <p>At the end of the wash cycle the display will start to flash until the basket is removed.</p>
7. Supplementary rinse	<p>To perform another rinse, tap the EXTRA RINSE KEY (4) to start a rinse cycle of 15 sec.</p> <p><b>Note the extra rinse programme is only available if the boiler has reached the operating temperature. Otherwise it will not be possible to start the cycle</b></p>	
8. Dishes unloading	<p>Open the door to remove the basket with the dishes.</p> <p>To eliminate any misting from the dishes:</p> <ol style="list-style-type: none"> <li>1. insert the basket with the dishes back into the dishwasher</li> <li>2. close the door</li> <li>3. perform a second rinse, pressing EXTRA RINSE (4)</li> </ol>	<p>Lift the lid to remove the basket with the dishes.</p> <p>To eliminate any misting from the dishes:</p> <ol style="list-style-type: none"> <li>1. insert the basket with the dishes back into the dishwasher</li> <li>2. close the lid again</li> <li>3. perform a second rinse, pressing EXTRA RINSE (4)</li> </ol>

Below are the programmes present for the type of dishwasher; the programs differ in terms of duration, dosages and temperatures:

#### Glass washer basket 350

- G75 (short cycle for glasses 75 sec.)
- G90 (cycle for glasses 90 sec.)
- C110 (cycle for small cups 110 sec.)
- C130 (intensive cycle for small cups 130 sec.)

#### Glass washer basket 400

- G75 (short cycle for glasses 75 sec.)
- G90 (cycle for glasses 90 sec.)
- C110 (cycle for small cups 110 sec.)
- C130 (intensive cycle for small cups 130 sec.)

#### Glass washer clean water basket 400

- G90 (cycle for glasses 90 sec.)
- C90 (intensive cycle for small cups 90 sec.)
- C110 (cycle for small cups 110 sec.)
- C130 (intensive cycle for small cups 130 sec.)

**Under counter dishwasher basket 450-500-600**

G90 (cycle for glasses 90 sec.)

C110 (cycle for small cups 110 sec.)

D120 (cycle for plates 120 sec.)

F300 (cycle for cutlery 300 sec.)

**Object washer**

D120 (cycle for plates 120 sec.)

T150 (intensive cycle for trays 150 sec.)

P240 (cycle for pans 240 sec.)

T540 (cycle for baking trays 540 sec.)

**Lid dish washer (60-90-120-300 sec.)**

D90 (short cycle for plates 60 sec.)

D90 (cycle for plates 90 sec.)

D120 (cycle for plates and cutlery 120 sec.)

F300 (cycle for cutlery 300 sec.)

**4.6.1 Energy Saving**

After 30 minutes of inactivity, the dishwasher goes into Energy Saving mode, lowering the temperature in the tank to 40°C and the boiler to 60°C. This way, keeping the temperature lower than the work temperature enables energy saving.

To exit the Energy Saving state, simply press any key or open and close the door.

It is possible to adjust the amount of time to wait before the dishwasher enters Energy Saving. Contact an authorised service centre to change the settings.

**4.7 End of service**

Every day, after use:

If the dishwasher has no drain pump installed

1. Open the door and remove the overflow tube and re-close the door.
2. Briefly press the ON/OFF KEY (2) to switch the dishwasher off (the display will show the message prompting removal of the overflow)
3. After a few seconds a tank-cleaning cycle will start automatically that lasts approximately 2 minutes that will rinse the tank and will cool the boiler.
4. At the end of the self-cleaning cycle, the dishwasher switches off automatically.
5. To switch the dishwasher off without running the self-cleaning cycle, press and hold down the ON/OFF KEY

If the dishwasher has a drain pump installed

1. Open the door and remove the overflow tube and re-close the door.
2. Press and hold the DRAIN PUMP KEY (6) until the tank drain and self-cleaning cycle starts. The self-cleaning cycle will start automatically as soon as the tank is empty. This cycle takes approximately 2 minutes and will rinse the tank and cool the boiler.
3. At the end of the self-cleaning cycle, the dishwasher switches off automatically.

As soon as the dishwasher is turned off

1. remove the electric power by turning off the main switch installed upstream of the dishwasher or disconnect it from the electric network
2. Remove and clean the wash pump filter (fig. 17) and any tank filters if present
3. carefully clean the wash tank
4. check and, if necessary, unscrew and clean the wash and rinse pipes
5. replace all the dishes removed, proceeding in reverse order
6. leave the door/lid open throughout the rest period (**N.B. If there is no power supply, with the door open the message "WARNING HOT STEAM" will be displayed indicating the presence of steam and hot tank. The message disappears as soon as the tank cools.**)

## ATTENTION!



### INJURY HAZARD



### FALL HAZARD

WHEN THE DISHWASHER DOOR IS OPEN IT CAN BE AN OBSTACLE TO PERSONS AND TO OBJECTS NEAR THE MACHINE ITSELF.

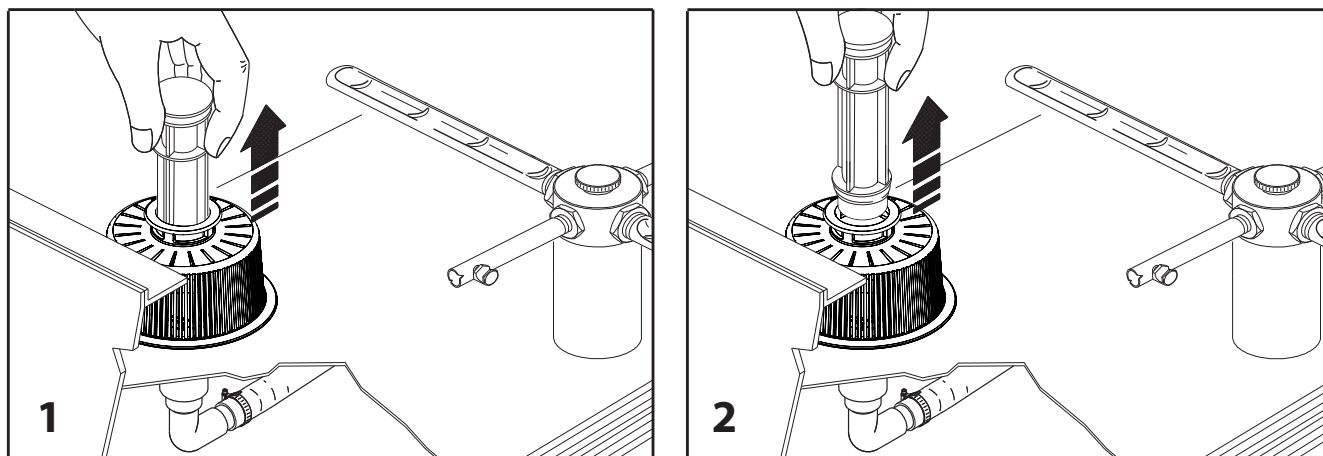


Fig. 16

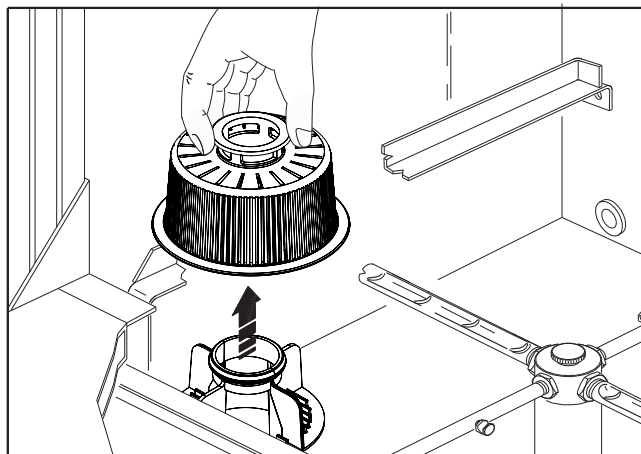


Fig. 17

#### 4.8 Thermostop

The dishwasher is equipped with the function of serial thermostop which only ensures starting of the wash cycle if the water temperature has reached the set minimum (Tank Thermostop) and only enables rinsing if the boiler has reached the minimum temperature set (Boiler Thermostop).

At the end of the wash cycle before starting the rinse, the boiler temperature is checked:

If the temperature is above the minimum value, the cycle continues correctly with rinsing.

If the temperature is lower than the minimum value, the wash cycle is prolonged until the minimum temperature is reached.

#### 5 Instructions for disassembly

## ATTENTION!



## INJURY HAZARD

### DAMAGE HAZARD FOR THE DISHWASHER

Only skilled personnel should be allowed to disassemble the dishwasher.

The dishwasher should therefore be taken to the nearest authorised dealer to disassemble all or part of the dishwasher.

## 6 Maintenance

### ATTENTION!



## INJURY HAZARD



## BURN HAZARD



**MAINTENANCE MUST ONLY BE CARRIED OUT WHEN THE MACHINE IS SWITCHED OFF, DISCONNECTED FROM THE POWER SUPPLY NETWORK AND THE TANK IS EMPTY.**

**MOREOVER, MAINTENANCE SHOULD ONLY BE CARRIED OUT AFTER THE HEATING ELEMENTS HAVE COOLED DOWN (WAIT AT LEAST FIVE MINUTES).**

THE ONLY EXCEPTION TO THIS RULE IS WHEN CHECKING THAT THE MICROSWITCH IS FUNCTIONING (SEE THE TABLE BELOW).

The table below shows a list of the necessary maintenance operations and their frequency. In case of technical problems, contact your Dealer.

MAINTENANCE	FREQUENCY	NOTES
Wash tank cleaning	Daily	To be carried out with care.
Rotor cleaning	Daily	Dismantle the rotor by unscrewing the retaining nut and pulling it upwards (fig.18). Wash the rotor with water. Carry out the same operations for the upper rotor.
Wash pump filter cleaning	Daily	Remove the wash pump filter by pulling it upwards, then wash it and rinse it (fig. 19).
Cleaning of wash tank filters (if present)	Daily	Remove the wash tank filters by pulling them upwards then wash and rinse them.
Rotation control of the rotor	Daily	Check manually that the rotor rotates freely.
Outer surfaces cleaning	Every 1-2 days	Do not use solvents on the control panel.
Microswitch functioning check	Weekly	Check that the door microswitch works properly when the machine is on by opening/closing the door or by lifting/lowering the lid.

MAINTENANCE	FREQUENCY	NOTES
Power supply cable and water hose check	Every 6 months	<p style="text-align: center;"><b>ATTENTION!</b></p> <p> <b>ELECTROCUTION HAZARD</b></p> <p> <b>INJURY HAZARD</b></p> <p><u>In case these parts are damaged, disconnect the dishwasher from the power supply without touching the electric cable</u> (turn the switch upstream of the dishwasher to the “off” position or disconnect the entire power supply network to which the dishwasher is connected). <i>Immediately contact your Dealer and have the machine repaired by qualified personnel.</i></p> <p><u>Do not use the dishwasher until it has been repaired.</u></p>

Periodic technical maintenance is also required by a specialist technician who must issue the verification report:

MAINTENANCE	FREQUENCY	NOTES
General visual inspection by the technician who installed the dishwasher	At the time of installation	The technician must issue a report confirming correct operation of the dishwasher. The report must include the date of the intervention, the signature of the technician and the signature of the customer/maintenance manager of the premises.
A general visual inspection by the technician who installed the dishwasher. Check the general condition of the internal components, the functionality of the dispensers and make sure that there are no liquid leaks from the dispensers or water leaks from the hydraulic circuit, including the pumps. Check the condition of the water inlet and drain hose connections	After 6 months from the first installation	



MAINTENANCE	FREQUENCY	NOTES
<p>Check the functionality and wear of all components, replacing any if necessary</p> <p>Check boiler cleanliness (empty it and check for limescale)</p> <p>Check boiler heating element seal</p> <p>Check for leaks from the wash pump</p> <p>Verification of the integrity of the hydraulic circuit</p> <p>Verification of the integrity of the load tube</p> <p>Verification of the integrity of the drain pipe</p> <p>Check the status of the water inlet and drain hose connections</p> <p>Checking the tightness of the clamps</p> <p>Check the integrity of the electrical wiring (replace any wires damaged by external/environmental causes)</p> <p>Verification of the integrity of the temperature probes and of the correct temperature detected</p> <p>Verification of all electrical connections (faston, terminal block, electrical resistance terminals)</p> <p>Check that all the wires are correctly tightened in the contactor terminals, if present (three-phase models)</p> <p>Check the electric cable, plug and/or connections to the panel</p> <p>Verification of the integrity and cleanliness of the air trap</p> <p>Check that the pressure switch is working properly</p> <p>Check that the solenoid valve is working properly</p> <p>Cleanliness of the solenoid valve filter</p> <p>Replacement of the detergent and rinse aid dispenser tubes even if the machine has only worked partially for 12 months.</p> <p>Replacement of the carbographe bushings of the impellers to always guarantee correct rinsing</p>	Every 12 months	<p>The technician during the phases of verification and/or replacement of the components (which must take place with original spare parts), should they detect further anomalies, will need to make the necessary repairs.</p> <p>If it is impossible to perform the repair immediately, the dishwasher must remain unused and an "out of order" sign must be affixed.</p> <p>Upon completion of the checks/repairs, the technician will issue the report confirming correct operation of the dishwasher.</p> <p>The report must include the date of the intervention, the signature of the technician and the signature of the customer/maintenance manager of the premises.</p>
<p>Carry out all the necessary checks every 12 months and also:</p> <p>The following components must be replaced with <b>original spare parts</b>:</p> <p>Washing pump gaskets</p> <p>Water inlet hose</p> <p>Water drain hose</p> <p>Seal in the boiler heating element</p> <p>Tank pressure switch (and boiler if present)</p> <p>Solenoid valves</p>	Every 24 months	Follow the instructions in the 12-month notes

Non-compliance with the above checks and the technician's failure to issue the reports will invalidate the product warranty. The Manufacturer is not liable for malfunctions and/or damage caused by negligence and failure to observe the periodic maintenance rules indicated in this use and maintenance manual.

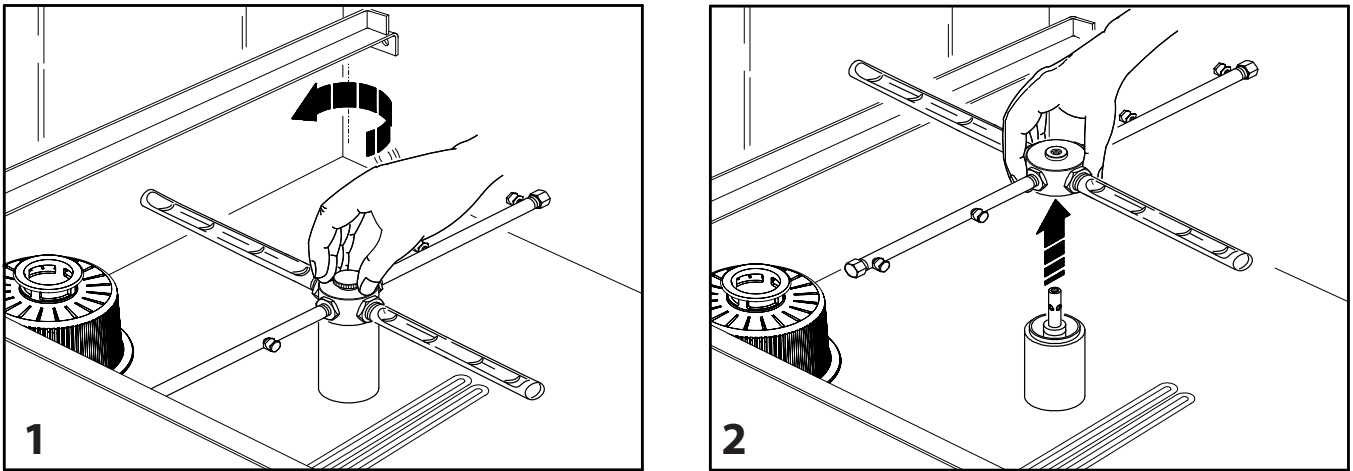


Fig. 18

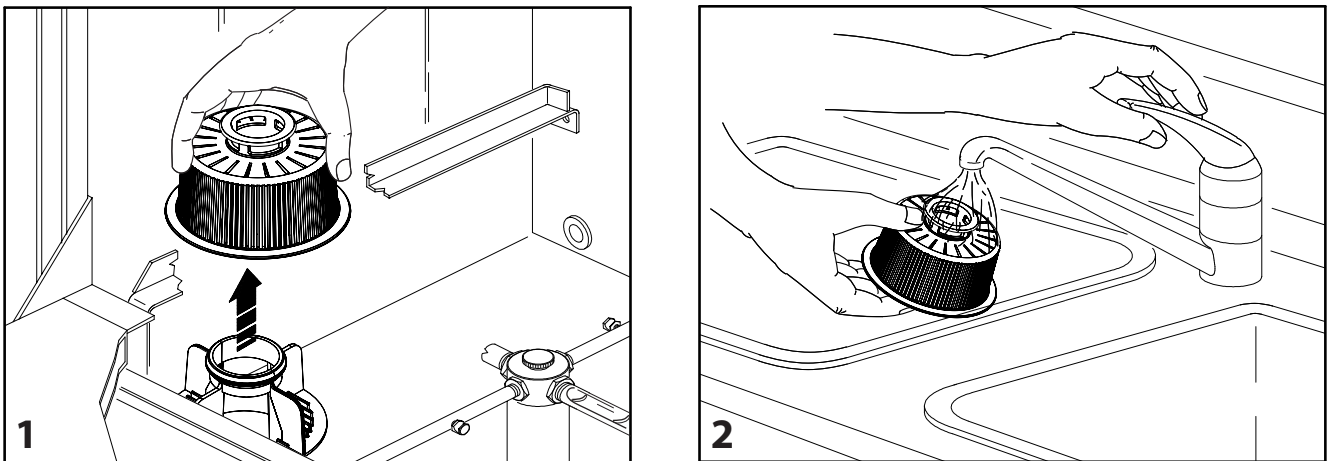


Fig. 19

### 6.1 LCD display maintenance

Use a soft, damp cloth to clean the screen of the dishwasher.

When cleaning the screen, do not spray water and do not use detergents, products or chemicals containing alcohol and solvents that could damage the membrane of the display or the surface of the touch screen and cause detachment of the same.

Make sure that the excess water on the screen is always carefully dried.

Do not use abrasive sponges or any other abrasive or pointed objects that could irreversibly scratch the display or puncture the membrane. This type of damage is not covered under warranty.

### 6.2 Machine maintenance

**Ordinary maintenance activities must be performed safely using protective gloves and goggles. Maintenance activities must only be carried out when the dishwasher is switched off and disconnected from the power supply and with an empty tank. Before performing maintenance, wait for the resistance cooling time (at least 5 minutes).**

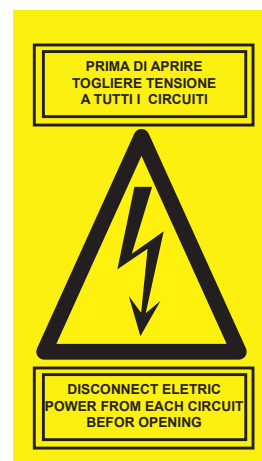
To clean the exterior walls of the dishwasher, use only a steel-specific neutral detergent and a soft, non-abrasive cloth. Attention: the degree of protection of the dishwasher is IPx1 therefore it is absolutely forbidden to use direct water jets to clean any component of the dishwasher. IT IS also prohibited to wash floors, walls or any other object installed near the dishwasher with a water jet or high-pressure cleaners. During normal maintenance and cleaning of the floor, avoid wetting the dishwasher plinth excessively. Avoid stagnating water near the dishwasher. For steel cleaning, do not use bleach or products containing chlorine or other substances that could corrode the steel. Do not use metal scourers, or other metal tools that could irreparably scratch the steel and other components of the dishwasher.

**N.B. The manufacturer declines all responsibility for accidents to persons or objects deriving from non-observance of the afore-mentioned regulations.**

## 7 Residual hazards

The alternating current mains power supply represents a source of residual hazard.

Warnings placed in convenient positions on the dishwasher warn operators of these hazards, in compliance with the Safety Standards, as shown here to the side.



## 8 Instructions for emergency situations



### ATTENTION

Emergency situations that are likely to arise during use of the dishwasher are:

- *loss of insulation*
- *electric shock*

**In all situations in which the dishwasher is not working, or not working properly, thus generating possible hazardous circumstances, the electric power supply must be immediately disconnected by switching off the switch upstream and by disconnecting the mains power cord.**


**In the event of electrocution or electric shock, carefully follow the precautions set out by the Safety Regulations. Do not touch the injured person directly, but switch off the switch upstream.**

**In all situations in which the dishwasher is not working, or not working properly, thus causing the hazardous situations described above, or after one of these situations has occurred, do not use the dishwasher and have it checked and repaired by qualified personnel.**


## 9 Troubleshooting

Before leaving the factory, each machine is thoroughly tested by specialist engineers to make sure that it works perfectly.

However, in the event of a fault, before calling for service, the following trouble shooting operations may be attempted.

PROBLEM	POSSIBLE CAUSE	SOLUTION
0. The dishwasher does not turn on	The switch upstream of the dishwasher is in the OFF position.	Turn the switch upstream of the dishwasher into the "on" position
	<p>The plug or the power cable are damaged.</p> <p style="text-align: center;"><b>ATTENTION!</b></p> <p style="text-align: center;"> <b>ELECTROCUTION HAZARD</b></p>	<p>In the event of damage to these parts, switch off the power supply to the dishwasher without touching the electrical cable (turn the upstream switch of the dishwasher into the "off" position or remove the electrical power to the entire network to which the dishwasher is connected). Immediately contact your Dealer and have the machine repaired by qualified personnel.</p> <p>Do not use the dishwasher until it has been repaired.</p>
	The touch display does not respond to commands	Clean and/or dry the display and make sure that the door is closed
1. The dishwasher does not fill with water	There is no electricity.	Wait for electricity to come back.
	Dishwasher door/lid not closed	Open the supply valve for water
	Power valve filter for water clogged	Clean the power valve filter for water
	Supply valve closed	Open the supply valve
	Filling up of water softener upstream	Wait until filling up is completed
2. Pressing the CYCLE START KEY the cycle does not start	Dishwasher door/lid not closed	Close the door/lid of the dishwasher
	The switch upstream of the dishwasher is in the OFF position.	turn the switch upstream of the dishwasher into the "on" position
	The CYCLE START KEY was not pressed for at least 2 seconds.	Press the CYCLE START KEY again for at least 2 seconds.
	The touch display does not respond to commands	Clean and/or dry the display and make sure that the door is closed
3. The wash cycle is noisy	The wash pump filter (fig. 19) is clogged.	Wash and rinse the wash pump filter (fig. 19);
	The washing arms of the rotor (fig. 18) knock the parts to be washed protruding from the basket	Position the dishes so that they cannot be struck by the washing arms of the rotor by following the instructions in para. 3.4 – PART TWO

PROBLEM	POSSIBLE CAUSE	SOLUTION
4. Inadequate rinsing	The water supply pressure is less than 1.5 bar	Contact an installer to install a supplementary pump to increase the Supply
	Power valve filter for water is clogged	Clean and rinse the water supply valve filter.
	The nozzles of the rotor are blocked.	Wash and rinse the nozzles of the rotor.
	The rotor arms do not turn freely	- Position the dishes so that they are not struck by the washing arms of the rotor, following the instructions in para. 3.4 - PART TWO - Wash and rinse the rotor.
5. The wash produces excessive foam.	Excessive rinse aid has caused this foaming	Contact the installer to reduce the amount of rinse aid.
	Soaking of the dishes with unsuitable detergent	Avoid soaking with foaming detergents
6. The rotor does not turn freely	The washing arms of the rotor (fig. 18) knock the parts to be washed protruding from the basket	Place the dishes so that they do not become hit by the washing arms of the rotor by following the instructions in para. 3.4 - PART TWO
	The rotor needs cleaning	Wash and rinse the rotor
7. The dishwasher does not drain the water	The drain pipe (fig. 21) is blocked or compressed	Remove the blockage from the drain pipe
	The drain pump filter (if supplied – fig. 21) is clogged	Wash and rinse the drain pipe filter.
	The pump does not drain properly	Contact the installer to reduce the replacement of the drain pump
	The drain cycle does not start (only if drain pump installed)	Make sure the dishwasher door is closed properly and clean the touch display
8. The wash result is unsatisfactory	The dishwasher has not finished the phase of heating of the water in the tank	Before starting actual washing, wait for the water heating time in the wash tank. When the pre-set water temperature is reached, the WATER TEMPERATURE LIGHT comes on
	Water in the tank is excessively dirty	Change the water
	The washing arms of the rotor (fig. 18) knock the parts to be washed protruding from the basket	Place the dishes so that they do not become hit by the washing arms of the rotor by following the instructions in para. 3.4 – PART TWO
	The rotor needs cleaning	Wash and rinse the rotor
	The nozzles of the rotor are blocked.	Wash and rinse the nozzles of the rotor.
	No detergent	Contact the installer to increase the amount of rinse aid.

PROBLEM	POSSIBLE CAUSE	SOLUTION
9. The water tank is full of limestone	Excessive hardness of the inlet water	Contact the installer to install a softener upstream
		Perform descaling of the tank with specific products for industrial dishwashers. Follow the instructions provided by the manufacturer of the descaling agent.  <b>ATTENTION!</b>  <b>WARNING RISK OF BURNS FROM ACID</b>
10. Presence of brown spots or grease in the tank after emptying	The tank is stained with coffee or grease	Increase daily water refills and contact the installer to increase the amount of detergent.
11. Spots of rust in the wash tank	Use of detergent with high content of chlorine	Change the type of detergent according to the instructions given in paragraph 11. Remove rust with specific products without scratching the surface of the steel
	Using bleach in the tank	Never use bleach. Remove rust with specific products without scratching the surface of the steel
	Introduction into the tank of crockery previously cleaned with iron scourers	Never use scouring pads or wire brushes in the manual pre-wash. Remove rust with specific products without scratching the surface of the steel
	Washing of dishes or iron items	Do not wash iron items

### 9.1 Electronic dishwasher warnings and alarms

During operation of the dishwasher the following warnings may appear on the display. The alert remains displayed even when the machine is switched off and the display backlight stays on.

NOTICE	ALARM DESCRIPTION	CHECKS PERFORMED BY THE END USER
Maintenance request	This warning appears when the day count expires or the cycle count expires	Request the intervention of a technician
No salt*	This warning appears when the salt level in the softener tank drops. Managed only for machines with built-in water softener	Add salt to the relevant tank.




\* When the salt tank is filled for the first time, the no salt warning may not disappear immediately. It is advisable to fill the salt tank with warm water to speed up the process of dissolving the salt. As the salt dissolves, the water density changes allowing the float inside the tank to change position resetting the warning.

The following are the alarms that may appear on the display if there is an operating fault.

All warnings persist until the dishwasher is switched off and until subsequent switching on. Certain serious alarms place the machine in "safe" mode (total block), others allow it to continue standard operation, though with limited functions.

If after having performed the appropriate checks and having switched the machine off and back on the alarm appears again, contact our technical service.

NOTICE	ALARM DESCRIPTION	CHECKS PERFORMED BY THE END USER
ER01	<b>Tank loading timeout:</b> the tank has not filled within the maximum time expected	Water mains valve does not supply water. Overflow tube not inserted or inserted incorrectly. Rinse jets clogged Water supply hose blocked Upstream water softener not working
ER02	<b>Boiler load timeout:</b> the boiler has not heated within the maximum time expected.	Water mains valve does not supply water Water supply hose blocked Upstream water softener not working
ER03	<b>Tank heating timeout:</b> the tank has not heated within the maximum time expected. Tank heating is disabled	Overflow tube inserted incorrectly. If the problem persists, request technical assistance
ER04	<b>Boiler heating timeout:</b> the boiler has not heated within the maximum time expected. Boiler heating is disabled	Overflow tube inserted incorrectly. If the problem persists, request technical assistance
ER05	<b>Tank probe open:</b> the tank temperature probe is not connected or is it interrupted. Tank heating is disabled	Request the intervention of a technician
ER06	<b>Tank probe short-circuited:</b> the tank temperature probe has shorted. Tank heating is disabled	Request the intervention of a technician
ER07	<b>Boiler probe open:</b> the boiler temperature probe is not connected or is it interrupted. Boiler heating is disabled	Request the intervention of a technician
ER08	<b>Boiler probe short-circuited:</b> the boiler temperature probe has shorted. Boiler heating is disabled	Request the intervention of a technician
ER09	<b>Tank safety thermostat:</b> the tank safety thermostat has intervened	Request the intervention of a technician
ER10	<b>Boiler safety thermostat:</b> the boiler safety thermostat has intervened	Request the intervention of a technician

ER11	<b>Thermostop timeout:</b> the boiler has not reached the temperature set during the thermostop phase. Boiler heating is disabled.	Switch the dishwasher off and back on again; if the problem occurs again, call for technical assistance
ER12	<b>Drain timeout:</b> the tank pressure switch did not open at the end of the manual drain cycle	Make sure that the overflow has been removed from its seat and start an additional drain cycle. If the alarm persists, request technical assistance.  <b>ATTENTION!</b>  <b>CAUTION RISK OF HOT WATER</b>
ER14	<b>Panel disconnected:</b> the panel was disconnected during machine operation and therefore it is no longer controllable by the keyboard	Request the intervention of a technician
ER20	<b>Overtemperature alarm:</b> The display shows the message "remove the plug". All dishwasher functions are blocked and the display flashes rapidly.	Switch the dishwasher off, empty it and allow it to cool. Try running an additional fill. If the problem persists, request technical assistance  <b>ATTENTION!</b>  <b>CAUTION RISK OF HOT WATER</b>
ER21	<b>Tank not empty:</b> At the end of the manual self-cleaning cycle the tank is full of water (only for machines without drain pump)	Make sure that the overflow has been removed from its seat and start another self-cleaning cycle.  <b>ATTENTION!</b>  <b>CAUTION RISK OF HOT WATER</b>
ER22	<b>Clock to be adjusted:</b> the internal clock is set with an invalid date	Set the clock.
ER30	<b>Heat pump:</b> only for dishwashers with three-phase pumps, the pump has overheated and the thermal protection switch has intervened	Request the intervention of a technician



## 10 Personnel training

The personnel must be trained regarding the operations for loading, unloading and preparation for use of the machine.

All these operations are relatively simple and require normal prudence in order to avoid injuries and accidents.

## 11 Useful tips

Here are some useful tips to complete dishwasher operation:

- *Check the level of rinse aid and detergent in the outer container, and replace if necessary (fig. 22)*
- *The washing and rinsing arms must be clean and equipped with jets and taps*
- *Use only industrial and low-foam detergents*
- *Use only liquid industrial detergent and rinse aid products similar to those supplied by us or with an equivalent composition suitable for dosing using the dosing pumps already installed inside the dishwasher*
- *Use the doses recommended by the detergent manual (para. 4.6 –PART II) or by the manufacturer of the detergent itself*
- *Do not fill the detergent and rinse aid containers with new product to prevent crystallisation of the product which, aspirated by the dispensers, damages the tubes*
- *Upon each tank change clean the tubes. In this regard, before inserting the tubes into the new tanks, place the suction tubes into a basin filled with warm water and perform 2 cycles of vacuum cleaning.*
- *The detergent and rinse aid tubes must be replaced at least 1 time per year or as soon as the maintenance request message appears (only for electronic dishwashers)*
- *Make sure that the detergent and rinse aid intake filters are always installed in the respective tubes and thoroughly clean. Replace them if they are excessively dirty and clogged with crystallised detergent.*

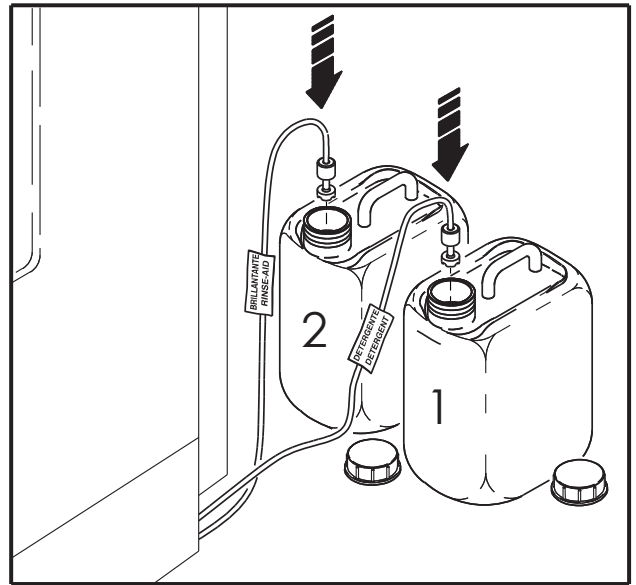


Fig. 22

## 12 Instructions for disposal

### Instructions for the disposal of electrical devices.

The label shown to the right is applied to electrical devices you have bought and means that the appliance cannot be disposed of as common waste but must be disposed of separately.

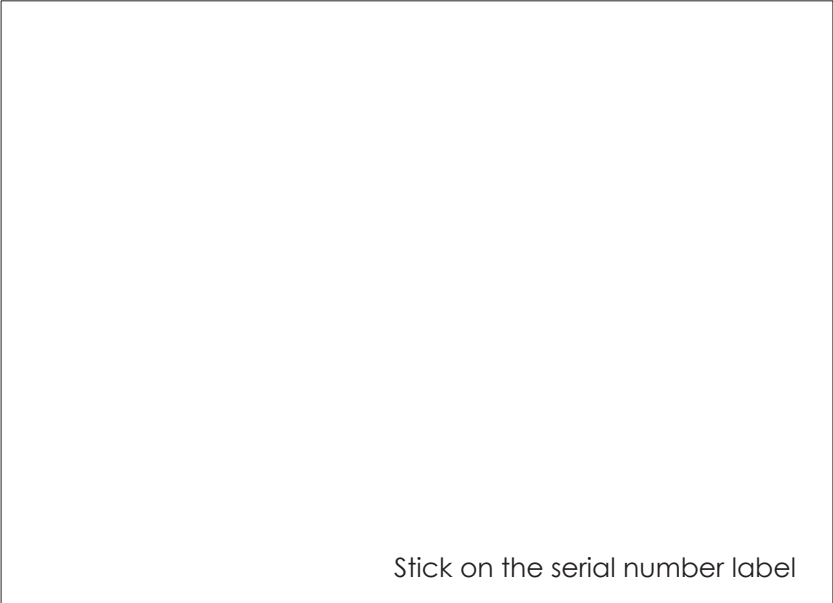
In fact, waste deriving from electrical or electronic devices must undergo special treatment in order to prevent the pollutants contained in the devices from being dispersed and to protect the environment and human health. Moreover, it will be possible to reuse/recycle part of the material of which this waste is made up, thus reducing the depletion of natural resources and the quantity of waste to be recycled.

### WARNING

**DUE TO ITS POLICY OF CONTINUOUS PRODUCT IMPROVEMENT, THE MANUFACTURER RESERVES THE RIGHT TO MAKE ANY CHANGES DEEMED NECESSARY.**

**THE MANUFACTURER CANNOT BE HELD RESPONSIBLE IF THE INSTRUCTIONS CONTAINED IN THIS MANUAL ARE NOT OBSERVED.**





Stick on the serial number label