

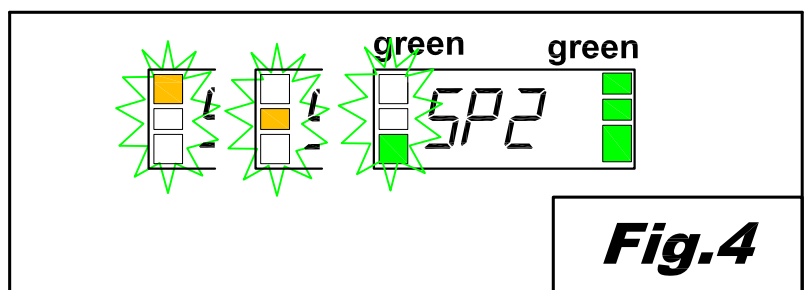
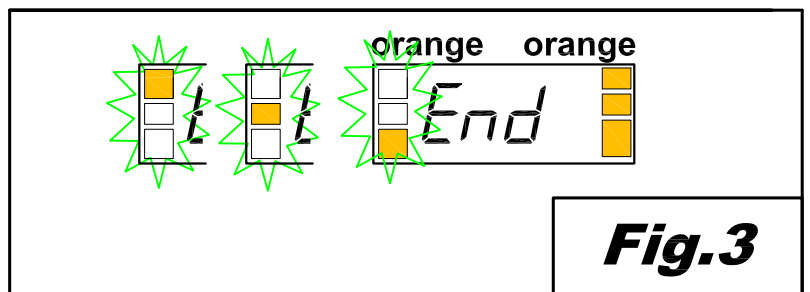
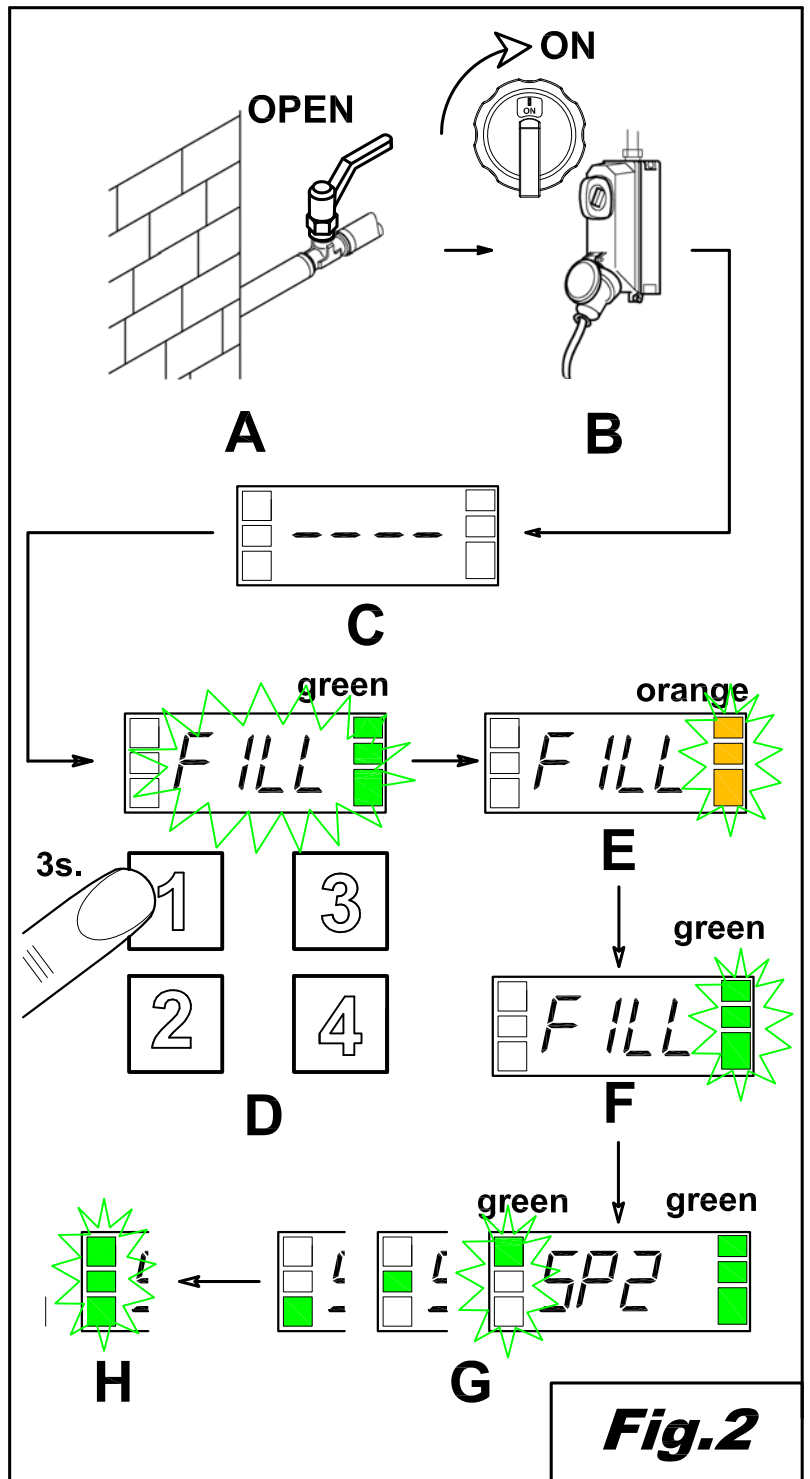
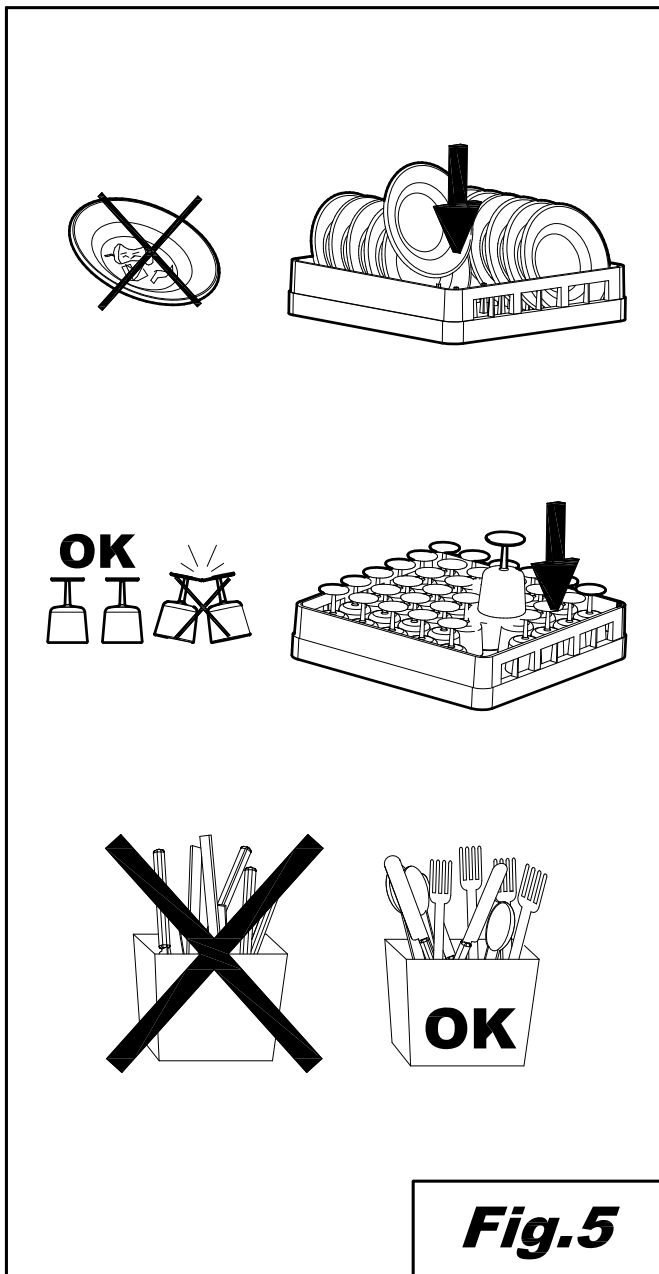
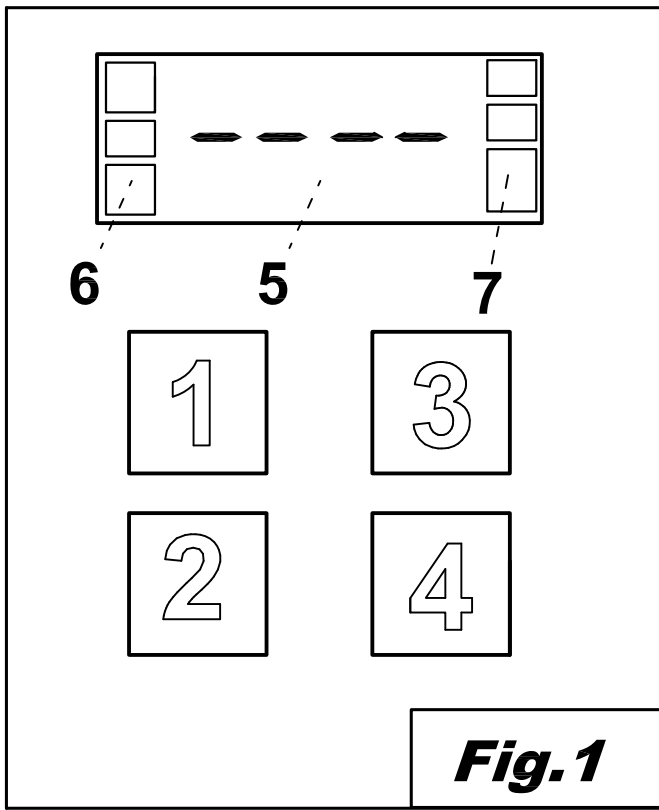
UK

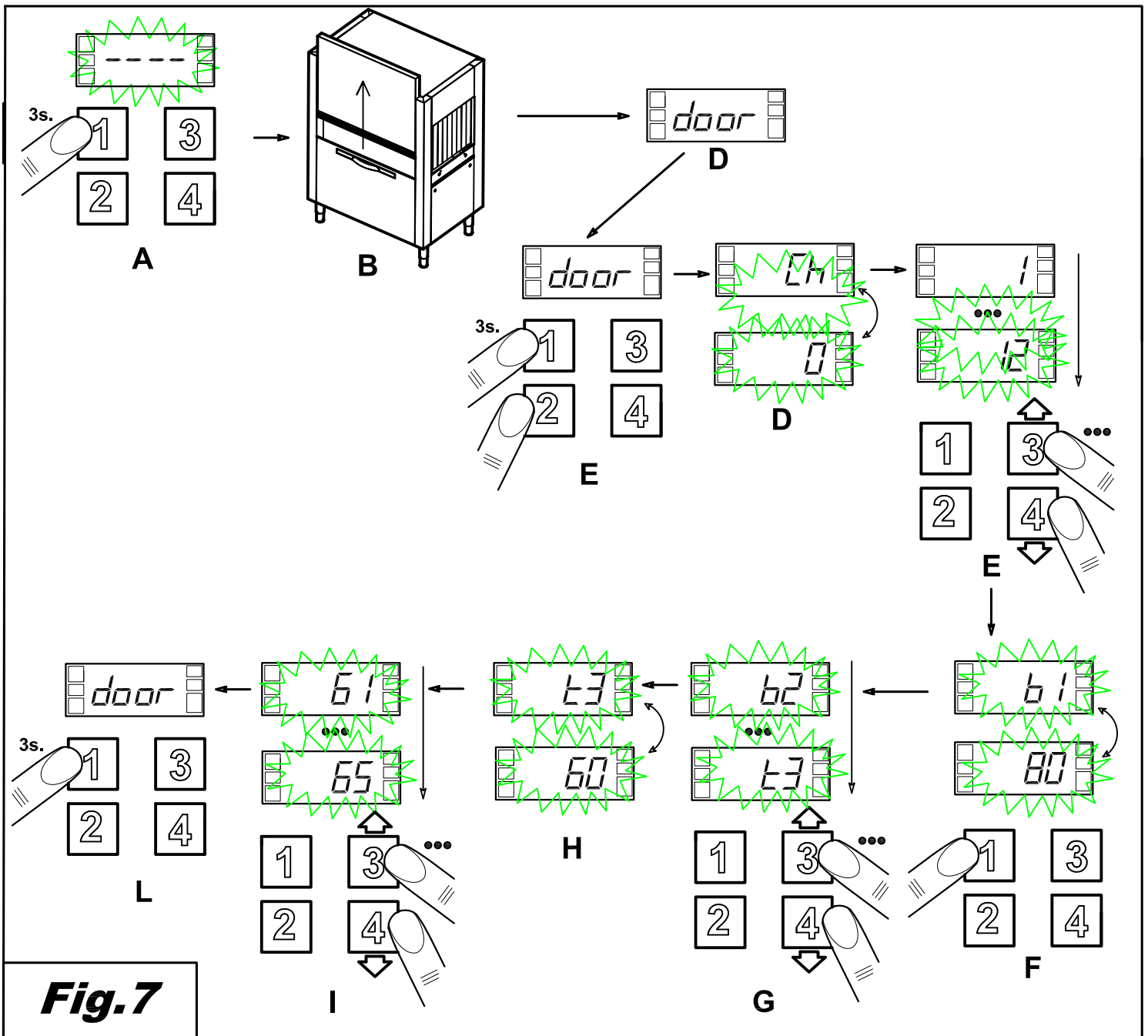
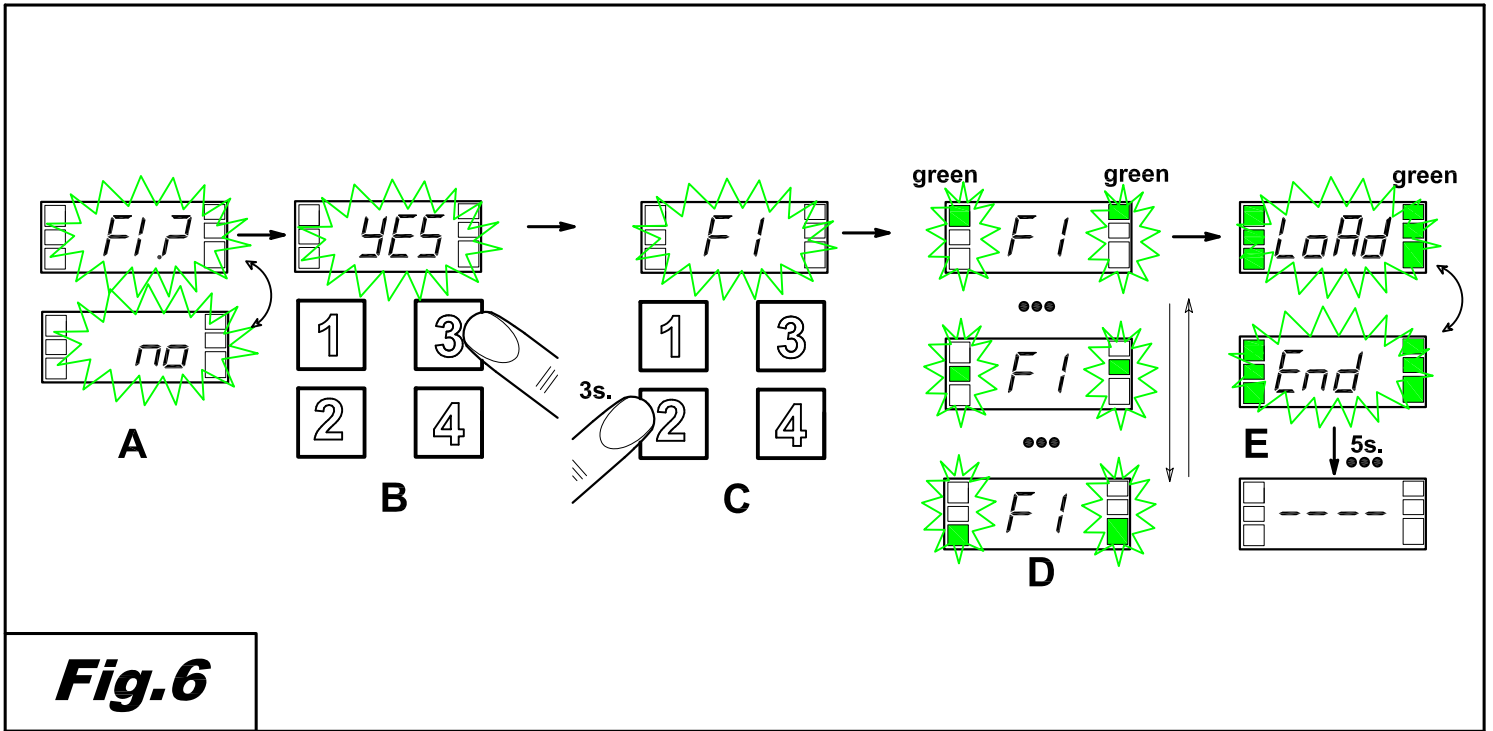
INSTRUCTION MANUAL FOR DISHWASHERS

DE

BEDIENUNGSANLEITUNG FÜR GESCHIRRSPÜLMASCHINE

MDIISY31-1 (r.0%)





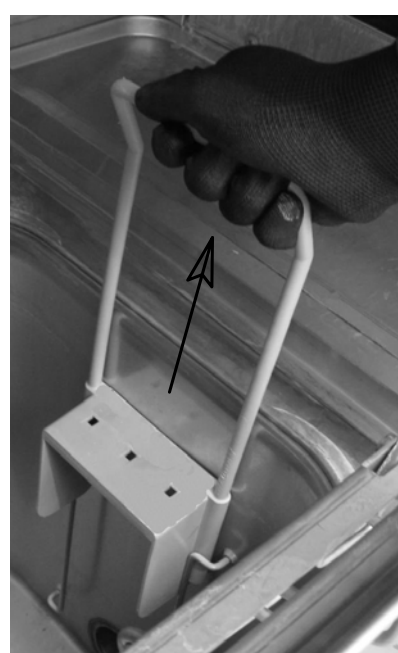
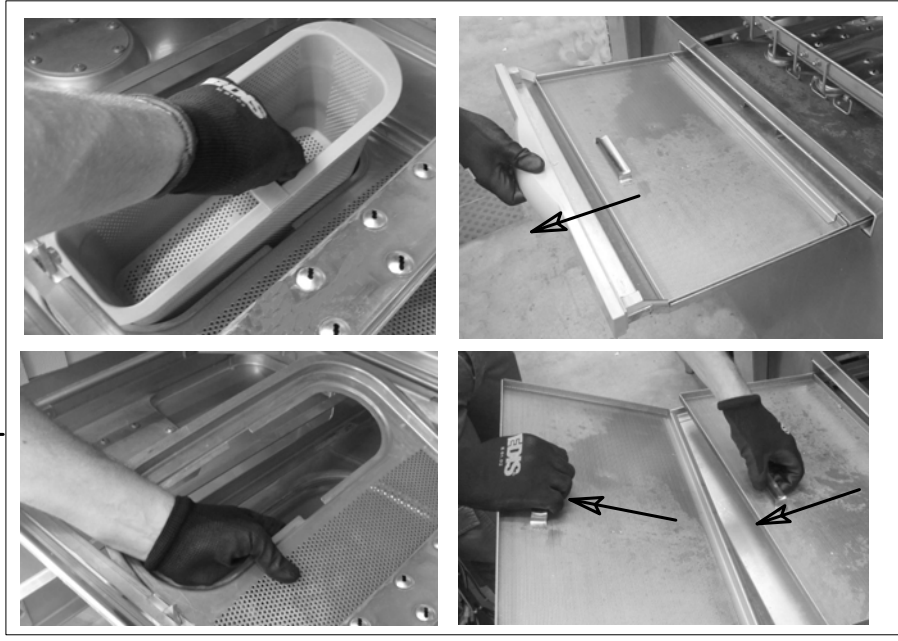
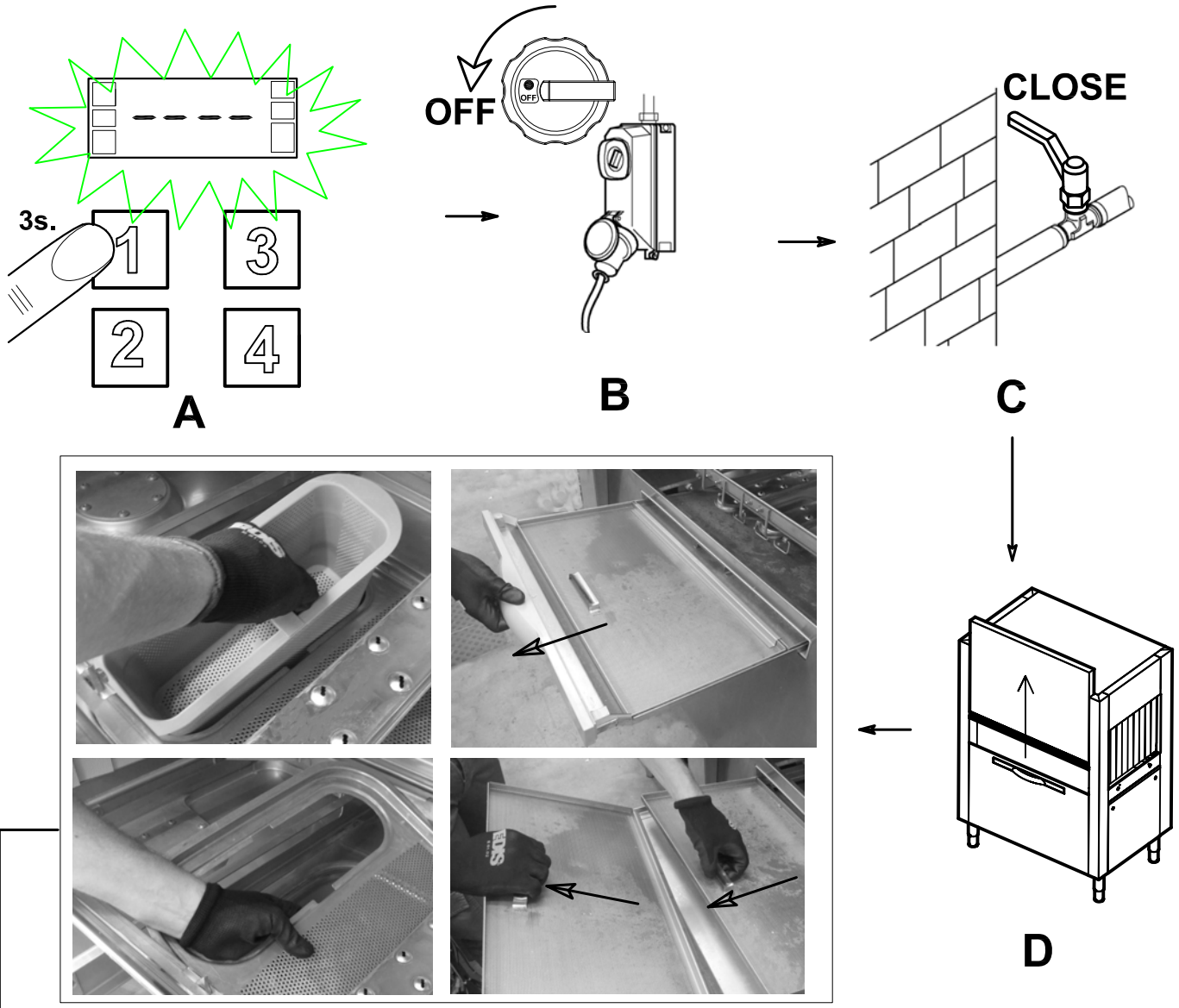


Fig.8

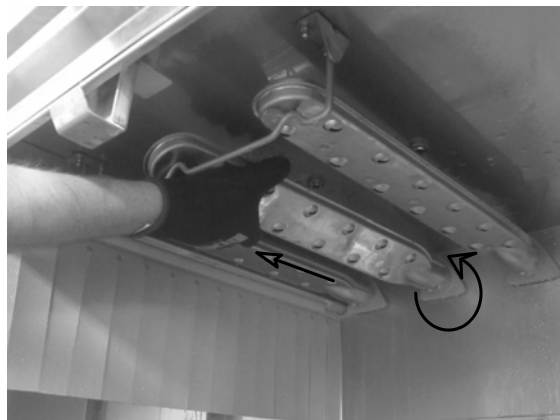
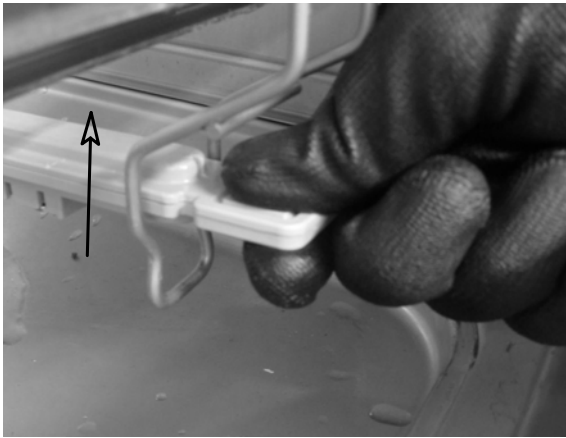


Fig.9

INDEX

CAP 1	FOREWORD	2
CAP 2	HANDLING AND TRANSPORTING THE MACHINE	2
2.1	TRANSPORTATION AND PACKAGING	2
2.2	HANDLING.....	2
2.3	STORAGE	3
2.4	DIMENSIONS	3
CAP 3	INSTALLATION	3
3.1	DANGER ZONES	3
3.2	ACOUSTIC PRESSURE LEVEL	4
3.3	UNPACKAGING AND POSITIONING.....	5
3.4	ENVIRONMENTAL CONDITIONS.....	5
CAP 4	INSTALLATION	5
4.1	ELECTRICAL CONNECTIONS.....	5
4.2	HYDRAULIC CONNECTION.....	6
4.3	CONNECTION TO THE WATER DISCHARGE GRID.....	7
4.4	CONNECTING THE LIMIT SWITCH	7
4.5	INSTALLATION OF DISPENSERS	8
4.6	COMMISSIONING.....	8
4.6.1	<i>First boiler charging</i>	8
4.7	CONTROLS	8
4.8	RECOMMENDATIONS ON THE SAFETY REGULATIONS TO BE ADOPTED	10
CAP 5	MACHINE DESCRIPTION	11
5.1	MACHINE DIAGRAM	11
5.2	DANGEROUS POINTS	12
5.3	SAFETY DEVICES	12
5.4	USE ACCORDING TO THE REGULATIONS	12
CAP 6	MACHINE USE	13
6.1	COMMAND DESCRIPTION.....	13
6.2	MACHINE START	13
6.3	HEATING.....	13
6.4	WASHING.....	13
6.5	WASHING PROGRAMME.....	13
6.6	STOP DEVICE	13
6.7	TEMPERATURE AND WORKING HOURS DISPLAY	14
6.8	LIMIT SWITCH DEVICE.....	14
6.9	REGULATIONS.....	14
6.9.1	<i>temperatures</i>	14
6.9.2	<i>dispensers</i>	15
6.10	USER MESSAGES.....	16
6.11	FUNCTION AND STATUS BARS	16
6.12	SELF-DIAGNOSIS	16
6.13	END OF WASHING OPERATIONS	18
6.14	POSITIONING THE DISHES.....	18
CAP 7	MAINTENANCE	19
7.1	GENERAL RULES	19
7.2	PERIODICAL MAINTENANCE	20
CAP 8	DISPOSAL	21
CAP 9	ENVIRONMENT	21



**The contents of this manual supply important safety information throughout the various phases of installation, use and maintenance.
Failure to follow the instructions contained in the attached documentation may compromise the safety of the appliance and immediately annul its warranty.**

Warnings:

Carefully store all the documents near the appliance. Hand them to the technicians and workers in charge of use and make sure they are kept well preserved over time, at a safe location, ideally with copies for frequent consultation.

The operator must read, understand and learn the present manual before carrying out any operation on the device.

This piece of equipment is destined exclusively to the professional washing of tableware for large numbers of people. Therefore, its use and maintenance are only to be carried out by well-trained personnel, committed to following the manufacturer's instructions.

Warranty:

The manufacturer declines all responsibility and warranty for damages to things or persons derived from failure to follow the instructions provided herein or from improper use of the machine.

Failure to follow the indications contained in the attached documents may compromise the safety of the device and cause the warranty to be immediately annulled.

Installation and repairs carried out by unauthorised technicians, or the use of non-original spare parts, will cause the warranty to be immediately annulled.

Cap 2 HANDLING AND TRANSPORTING THE MACHINE



2.1 Transportation and packaging

The machines can be transported in two manners:

- on lorries
- in containers

Both situations require the same kind of packaging.



2.2 Handling

- The machines must be handled with care, using a forklift truck or a hand pallet truck.
- The hoisting points are marked on the machine by adhesive labels.



- During transportation, it is forbidden to remain near the machine, as it may tilt and cause serious harm to persons nearby.
- Accidents may involve impact, entanglement, and trapping by the machine during handling and storage of the machine itself.

2.3 Storage

Storage methods for materials must include pallet, containers, conveyor belts, vehicles, lifting equipment and devices suitable for the prevention of damages caused by vibration, impact, abrasion, corrosion, temperature or any other condition that may occur. The parts stored must be periodically inspected for deterioration.

Storage:

Transportation and deposit: between -10°C and 55°C , with peaks of up to 70°C (max 24 hours)

2.4 Dimensions

The machines of the rack conveyor line are available in various models, whose layouts are attached to this document, including the dimensions of each machine.

Cap 3 INSTALLATION

3.1 Danger zones

Definition of danger zone and how (see figures on the next page) hazards may occur; general description of the protection measures adopted.



MOVING PARTS

Risk of entangling and dragging

- On the conveyor



HOT

High temperature hazard

- on the doors that give access to the washing/rinsing areas
- on the walls of the drying area
- on the boiler, during installation and maintenance operations

DANGEROUS POWER
VOLTAGE

Dangerous voltage

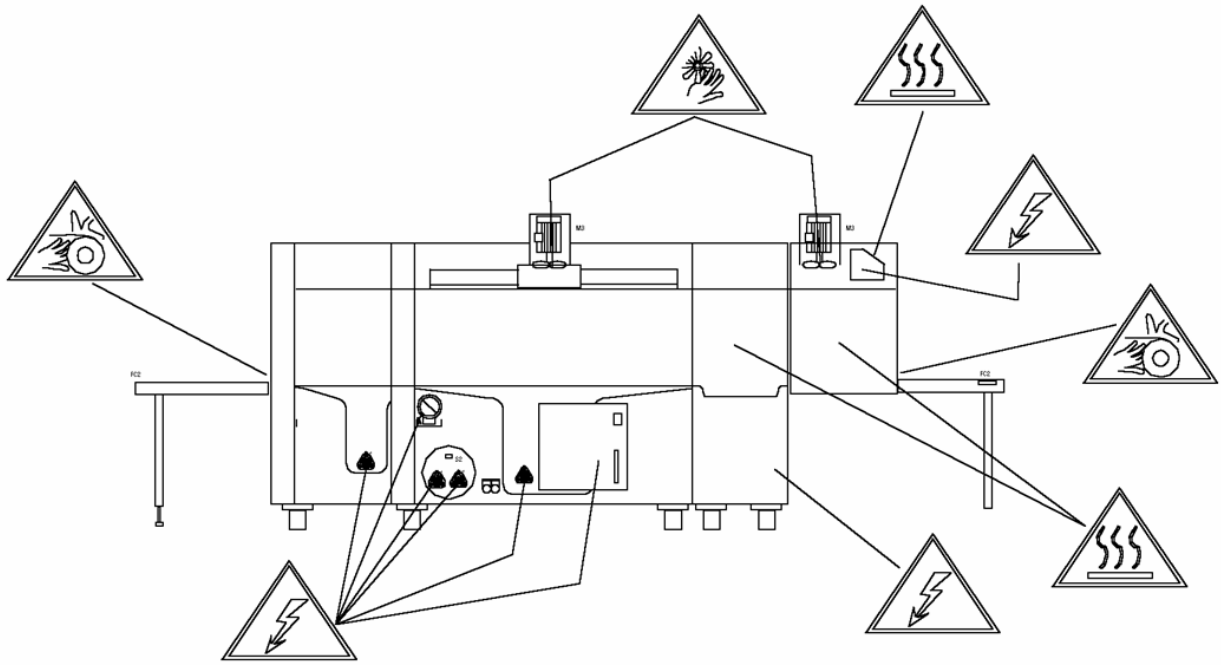
- general switchboard
- electro-pump
- fan
- electric resistances



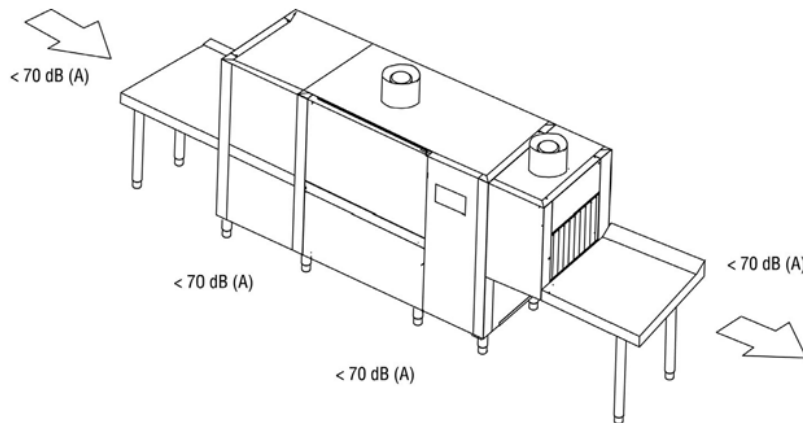
Shearing hazard

- on the fan of the suction unit

The machine is equipped with bulkheads that limit access to the inner part of the machine and to moving parts. The bulkheads are fixed by screws.



3.2 Acoustic pressure level



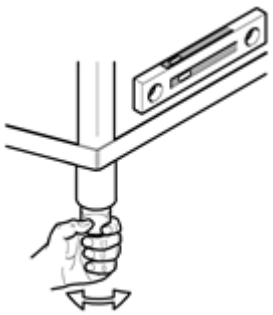
3.3 Unpackaging and positioning

When the machine is received, open the packaging and check the machine and its accessories for damage occurred during transportation. If any damages are detected, immediately report to the transportation company and do not proceed with installation: seek the assistance of qualified, authorised personnel.

The manufacturer cannot be held responsible for any damage occurred during transportation.

Packaging elements (plastic bags, Styrofoam, strips of wood, nails etc) must be kept away from the reach of children, as they are potentially hazardous.

Position the machine according to the indications supplied by the general installation layout, supplied separately, making sure its position is correct regarding maintenance needs.



Screw the feet to the supports and place the machine in its proper position. Adjust the height of the feet to level the machine. As these machines are long, use a spirit level.

Warning:

While positioning the machine, do not drag it on the floor, as this may damage its structure.

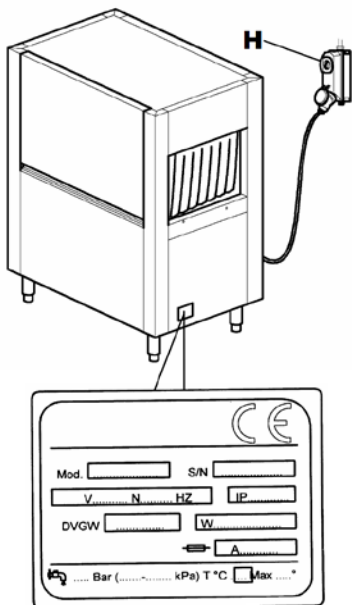
The floor must be dimensioned taking into consideration the overall weight of the machine. The floor must be levelled.

3.4 Environmental conditions

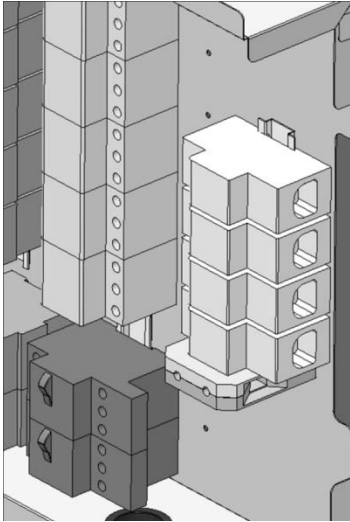
- Environmental temperature: 40° C max/4° C min (average: 30°C)
- Altitude: up to 2,000 metres
- Relative humidity: Max 30% at 40° C/max 90% at 20° C


Cap 4 INSTALLATION

4.1 Electrical connections



- **Caution! Installation must only be carried out by specialised technicians!**
- Prior to connecting the equipment, make sure that both the voltage and frequency of the power grid correspond to those indicated in the information plate on the lateral panel of the machine.
- It is obligatory to connect the machine to the power grid by means of a dedicated omnipolar switch, in conformity with the safety regulations in force, of the automatic type, with fuses with at least 3 mm of opening between contacts. The above mentioned switch, not supplied with the machine, must be installed on the wall, in such a position that it can be easily reached, at a height between 0.6 and 1.7 m.
- Prior to connecting the machine to the power grid, make sure the power supply line is not live.



- Remove the anterior panel and the protection of the switchboard by loosening the screws.
- Introduce the power cable through the cable gland.
- Connect the cable to the terminals on the board, as indicated in the wiring diagram attached.
- If the Neutral and Earth cables are connected incorrectly, the machine may suffer irreversible damage, and the warranty may be annulled!
- Check that the cables on the contactors, thermal protections etc are well tightened, as the screws may have loosened during transportation.
- Place the anterior panel back in position and the control panel, using the screws included.
- The power supply cable, exclusively of the H07RN-F type, must never be tensioned or crushed during normal use or routine maintenance.
- In addition, the machine must be installed as part of an equipotential system, connected through a screw marked with the symbol .
- The equipotential conductor must have a section of 10 mm².



It is forbidden to use multiple sockets, adaptors, cables of unsuitable type or section, or with extension junctions not in conformity with the current regulations regarding electric systems.

4.2 Hydraulic connection

Prepare the area according to the installation diagram attached.

Prior to connecting the machine, make sure that there is a gate valve installed between the water mains and the machine, to make it possible to interrupt water supply in case of need or when carrying out repairs.

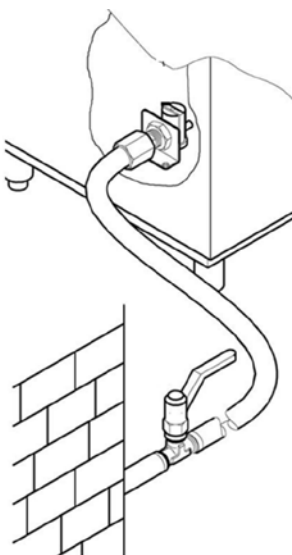
In addition, make sure that the supply capacity is not inferior to 20 l/min.

Make sure that the incoming water temperature and pressure correspond to the values indicated in the technical characteristics tag.

If the water is harder than the value indicated in the tag, it is advisable to install a water softener uphill to the power supply solenoid valve of the machine.

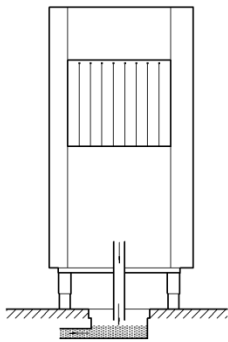
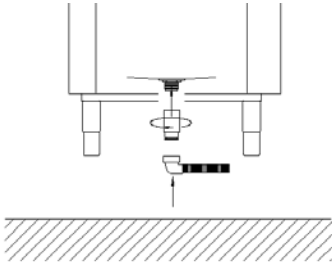
If the concentration of residual minerals in the conductivity water is very high, it is advisable to install a demineralisation system calibrated to obtain a residual water hardness compatible with the values in the table below.

WARNING! High concentrations of sodium chloride may cause rust.



	Characteristics		Min	Max
Hardness	French hardness	f	5	10
	German hardness	°dH	4	7.5
	English hardness	°e	5	9.5
Residual minerals	Parts per million	ppm	70	140
	Maximum	mg/l	300/400	

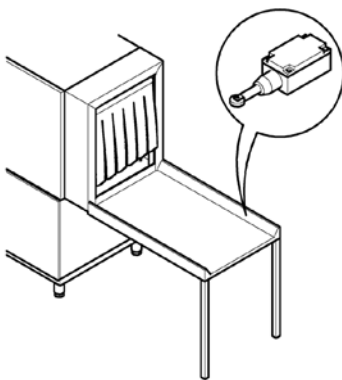
4.3 Connection to the water discharge grid



- Conveyor belt dish washing machines operate continuously. This means they require particularly efficient and well-working discharge systems.
- For information on the position of the discharge outlets, please refer to the installation diagram attached.
- Connect the discharge outlets of the machine to the mains, using tubes resistant to continuous temperatures of 70° C.
- Use the discharge tube and the connection supplied with the machine.
- The discharge system must include a siphon.

4.4 Connecting the limit switch

It is **OBLIGATORY** to install a limit switch in order to use the machine.



- The limit switch must be installed on the outgoing plane.
- The switch must be mechanically fixed to the machine in a manner suitable for its application.
- It is advisable to use a limit switch with lever activation with washer, to increase contact surface and reduce the effect of mechanical contrast.
- It is obligatory to verify its proper functioning with all the baskets in use in the area.
- It must have a protection of at least IP55.
- The switch must be in its positive mode (contact normally closed).
- Its minimum rated capacity must be 240 V 1.5 A.
- The advised mechanical duration is 10,000,000 cycles.

4.5 Installation of dispensers

The machine is equipped with specific outlets for the dispensers for rinse aid and dish washing liquid. Connect the dispensers according to the wiring diagram, to ensure that the machine works properly. Both the rinse aid and the washing liquid must be dosed by the automatic dispensers. The amount of both products is established by the installation technician, according to water hardness. The technician is responsible for calibrating the dispensers. For the initial filling of the dosing circuit and for its relative regulations, please refer to the "Regulations" paragraph.

- The level of liquids in the containers must never be allowed to drop to empty levels.
- The dispensers must never be filled with corrosive or soiled products.
- It is forbidden to use chlorine-based products, as they cause the formation of chlorine; in concentrations above 50 ppm, they may lead to corrosion.
- It is not advisable to dispense the products manually.
- For any other installation, please refer to the wiring and installation diagrams attached.
- The machine does not support multi-voltage dispensers and/or with more than 5 A of absorption per outlet.

If you decide to use this kind of dispenser, it must be connected to an external 16 A relay.

4.6 COMMISSIONING

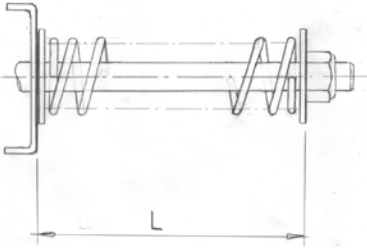
4.6.1 First boiler charging

Reference: Figures 2 and 6

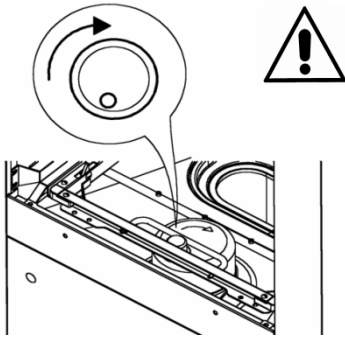
- Open the gate valve of the water supply system (Fig. 2/A)
- Supply the machine with power by switching on the main switch (Fig. 2/B)
- The display will show 4 horizontal bars (Fig. 2/C)
- Press the line button (1) to switch the machine on. (Fig. 2/D)
- The display will show the alternating message "**FI?**" "**no**" (Fig. 6/A)
- Press button (3) to select "**yES**" (Fig. 6/A)
- To confirm, press button (2). (Fig. 6/C)
- The machine will automatically start loading the boiler, and the display will show the message "**FI**" (Fig. 6/D)
- When the display shows the alternating messages "**LoAd**" "**End**", it means the loading phase is concluded, and the machine is ready to be switched on. (Fig. 6/E)

4.7 Controls

- Make sure that the level of water in the washing tank, once filled, is 1-2 cm below the overflow level.
- Make sure that the temperature of the washing and rinsing tank is in accordance with the settings.
- Check the dispensers for proper function.
- Make sure the rinsing economiser is working well: it must start dispensing hot water as soon as a basket arrives beneath the rinsing jets, and make the hot water flow stop when the basket moves away.
- Make sure the limit switch is working. The switch must block the functioning of the advancement motor and of the pump whenever a basket reaches the end of the plane. Once the basket is removed, the functioning must resume.
- Check the rotation direction of the pumps. If they are turning in the opposite direction, invert the two phases of the power supply cable.



- Check the regulation of the mechanical safety system of the conveyor, which must be adjusted taking into account the overall length of the machine and of the output tables measured by themselves. A full load of baskets full of plates should not block the advancement of the conveyor.
To make the regulation, turn the screw on the bracket that supports the conveying motion unit.
The advised L length must range from 60 to 75 mm (see figure).
Please contact your assistance centre for complex applications.



- Make sure that the rotation direction corresponds to the figure and to the central motion of the conveyor.

WARNING: The mechanical safety will not work efficiently if the rotation direction is incorrect.

- Check the manometer during rinsing. If necessary, adjust the pressure regulator and set the value as indicated in the table:

Version	Litres/hour Baskets/hour	bar
No pre-wash	160	0.6
With pre-wash	270	0.7



Failure to carry out these checks will automatically annul the warranty.

END OF INSTALLATION

- The installation technician must inform the manufacturer in case of functioning and/or safety anomalies observed during the initial testing.
- The machine can only be used once installation is complete.
- The technician must issue a declaration of work carried out according to the rules of the trade and to the laws in force.

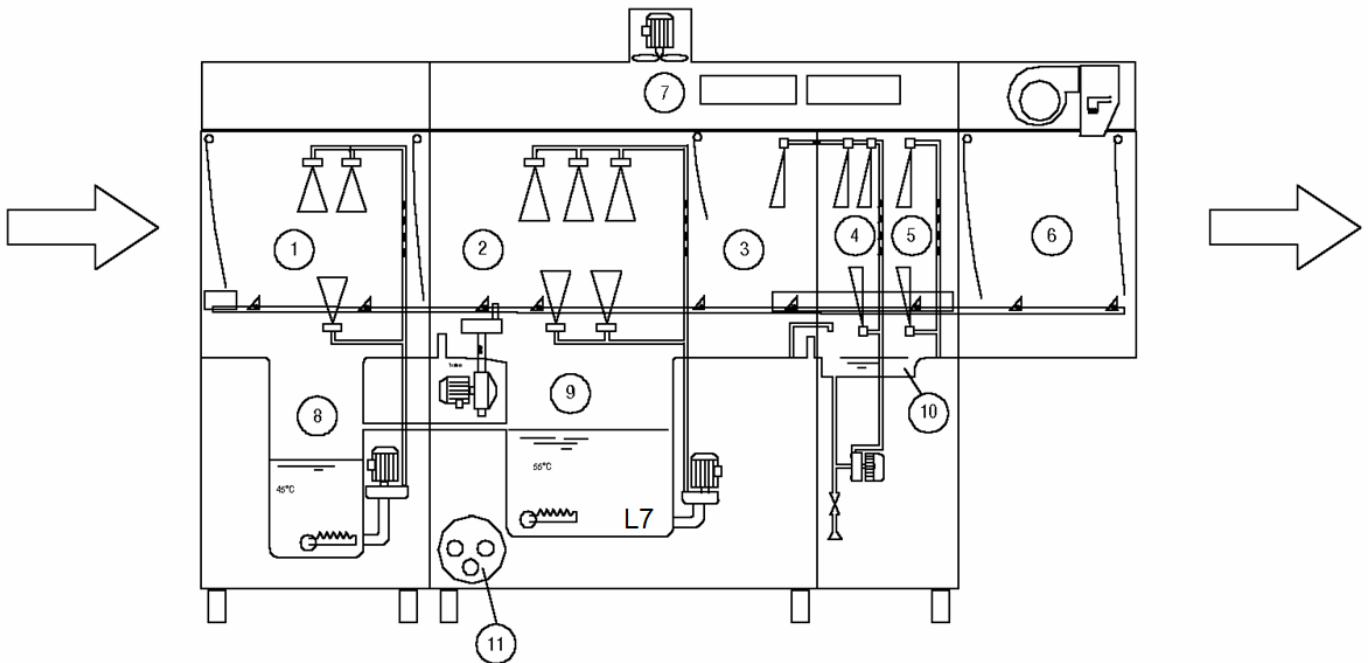
4.8 Recommendations on the safety regulations to be adopted

- This machine must only be destined to the use for which it has been expressly designed. Any other use must be considered improper and therefore dangerous.
- Do not leave the machine exposed to atmospheric agents (rain, sun etc).
- Do not allow the machine to be used by children or mentally disabled persons.
- The machine must only be used by trained personnel.
- Keep the machine in perfect functioning conditions and always use the several protections it is equipped with; ordinary maintenance must be performed by professionally qualified personnel. In particular, all safety devices must be periodically inspected by the maintenance technician.
- Prior to connecting the machine, make sure the information on the plates corresponds to the information regarding the power and water grids.
- Make sure the machine is perfectly earthed, as defined by the current laws in force. This fundamental safety requisite must absolutely be respected. In case of doubt, request an accurate inspection of the entire machine by professionally qualified personnel.
- Make sure that the power capacity of the system is suitable for the maximum power absorbed by the machine. In case of doubt, seek the assistance of a qualified person, who must make sure that the section of the system cables is suitable for the power absorbed by the device.
- The incoming power grid cables (not included) for the main switch must be suitably marked for danger.
- The power cable of this machine must be of the H07RN-F type.
- Prior to carrying out any maintenance operation, cut off power from the machine using the power switch.
- In case of malfunctioning, switch off the main power switch and do not attempt any direct repair intervention.
- The machine must only be repaired by the manufacturer or by an authorised assistance centre, using only original parts.
- Failure to follow these indications may compromise the safety of the machine.
- Do not use water to extinguish fires on the electric parts. Use a powder fire extinguisher.
- The machine must not be left under voltage when not in use.
- Do not modify the protections, and only remove them if the machine is not working and is cut off from the power supply.
- If you decide not to use a machine of this kind any longer, it is advisable to make it impossible to use by removing its power cable, after unplugging it from the mains.
- When cleaning the machine, strictly follow all the instructions supplied in the manufacturer's booklet.
- Do not obstruct the aspiration or dissipation grids.
- Do not operate the machine without its filters.
- After cutting off the machine from the power supply, only qualified personnel may access the control board.
- Do not submerge your unprotected hands in the water-detergent mixture. In case of accidental contact with the eyes, rinse with abundant clean water and seek medical advice.
- Do not open the doors too quickly. Wait at least 15 seconds after the engines have stopped.
- When opening the doors, make sure they are well hooked to their supports.
- Should the conveying system stop due to the safety device, remove the obstacle that cause the block before resuming operation.
- Make sure that the objects being washed are dishwasher-safe.
- Do not use dispensing devices or other devices not intended by the manufacturer, which may alter the safety or functionality characteristics of the machine.
- Use only anti-foam detergents specific for dishes, in the doses recommended by the manufacturer, according to the hardness of the water and the capacity of the tank.
- It is forbidden to use acid or corrosive products to clean the machine or to wash the dishes.
- NEVER use chips, steel wool or steel brushes to wash stainless steel items.
- In order to protect the environment, we advise against the use of corrosive or polluting products. Do not exceed the recommended dose.

- The personnel in charge of handling the dishes must absolutely follow the hygiene regulations in force after the washing.
- To pick up an object that fell inside the machine, stop the machine and switch it off.
- Do not get near the moving parts with dangling jewellery or loose sleeves, to avoid tangling.
- Do not use the machine as support surface for objects or tools.
- Always switch the machine off when not in use, using the wall-mounted omnipolar switch.
- Cut off water supply every time the machine is not in use.
- Immediately switch the machine off if any water leaks are detected.
- Keep in mind that the machine must never be used without its protection curtains (entrance, exit, and intermediary positions).
- It is forbidden to remove the basket from the machine before the basket is completely out of the machine.

Cap 5 MACHINE DESCRIPTION

5.1 Machine diagram



- | | | |
|-----------------------|--------------------------------------|-----------------|
| 1 Pre-wash chamber | 5 Final rinsing chamber | 9 Washing tank |
| 2 Washing chamber | 6 Drying chamber | 10 Rinsing tank |
| 3 Pre-rinse chamber | 7 Steam extraction and recovery zone | 11 Boiler |
| 4 First rinse chamber | 8 Pre-wash tank | |

Conveying belt washing machines are manufactured with high-quality materials: AISI 304 stainless steel for the washing tanks and stainless steel for the remaining parts.

- In section 1 (pre-wash), the dishes are submitted to an initial removal of dirt.
- In section 2 (wash), the dishes are actually washed.
- Rinsing takes place in sections 3-5.
- The dishes are dried in section 6.
- In section 7, steam is extracted or heat is recovered.
- The baskets are automatically conveyed through the sections thanks to a lateral conveyor.



5.2 Dangerous points

A dangerous point or dangerous area of the machine is an area in which accidents may occur in case of failure to follow the instructions.

- If the conveyor stops during regular functioning, press the line button. Only restart the machine once the cause of the blockage has been identified and removed.
- It is forbidden and very dangerous to access the internal part of the machine from the entrance or exit of the conveyor when the machine is on and in motion.
- It is forbidden and very dangerous to make repairs to the conveying system and to the electric users when the machine is working.
- It is forbidden to use the machine without the surveillance of an operator.
- Do not submerge your hands in the water in the tanks.
- It is forbidden to access the switch to deactivate or activate the machine with wet hands.
- It is absolutely forbidden to access the internal part of the electric box.

5.3 Safety devices

- On the doors there are magnetic switches that interrupt pre-wash, wash, rinse and basket conveying, when opened.
- Protection against unexpected start-up. If the machine accidentally stops due to lack of electricity, it will not resume automatically when the power returns.
- Thermal protections for electro-pumps and motors, guaranteeing their integrity in case of short-circuit and overload.
- Magneto-thermal protections or fuses for each heating element, protecting elements from the dangers of short-circuits and overload.
- Boiler safety thermostat. In case of malfunctioning of a thermostat for temperature control, a second safety thermostat will intervene and interrupt the functioning of heating elements.
- Safety microswitch on the conveyor. If the conveying stops due to accidental causes, the microswitch installed near the support of the motor reducer will interrupt the conveying function.
- Safety door stop. When the doors are opened, the hooks prevent them from falling if a spring should break.
- Low-voltage commands.

5.4 Use according to the regulations

- Conveying machines are expressly designed to wash dishes, glasses, cups, flatware and similar items together with the basket in which they are placed. Any other use is considered to be not in accordance with the regulations.
- It is imperative to respect the manufacturer's safety, use and maintenance regulations.
- It is imperative to respect the suitable regulations to prevent accidents, and further acknowledged safety technique regulations.
- The machine must only be used by personnel suitably trained to avoid hazards.
- The machine must only be used with original manufacturer's accessories and spare parts.

Cap 6 MACHINE USE

6.1 Command description

With reference to Fig. 1

1	ON/OFF LINE BUTTON	5	INFORMATION DISPLAY
2	START/STOP BUTTON	6	FUNCTION BAR (LED)
3	PROGRAMME SELECTION BUTTON	7	ALARM BAR (LED)
4	SPECIAL PROGRAMME SELECTION BUTTON		

6.2 Machine start

Reference to Figure 2

- Open the gate valve of the water supply system (Fig. 2/A)
- Supply the machine with power by switching on the main switch (Fig. 2/B)
- The display will show 4 horizontal bars (Fig. 2/C)
- Press the line button (1) to switch the machine on. (Fig. 2/D)
- The display will flash the message “**FILL**” and the machine will start loading water (Fig. 2/E).
- Once the proper level has been reached, the display will show the default message “**SP2**”. (Fig. 2/G)

6.3 Heating

Reference to Figure 2

- Once the loading is finished, the machine will automatically start heating.
- During heating, the LED function bar (6) is orange (Fig. 2/G).
- As soon as the pre-set temperature is reached, the LED function bar (6) will turn green and fixed. (Fig. 2/H)

6.4 Washing

Reference to figure 4

- To start washing, simply insert a basket at the the entrance of the machine until it is hooked by the basket conveying system.
- The LED function bar (6) will then start moving.
- During washing, the display will show the washing programme being used.

6.5 Washing programme

Use the keyboard to select the following programmes:

standard programmes selected using button (4)

- **SP1** “High capacity “, to wash dishes with light, fresh dirt.
- **SP2** “General purpose”, programme for general use.

programmes selected using button (3)

- **AP1** “Prolonged contact” ensures a longer washing time, in accordance to regulation **DIN 10534**
- **AP2** “Glass” programme, specific for the washing of glasses.

It is only possible to select a different programme during washing after pressing button (2).

6.6 Stop device

The machine is equipped with a ON/OFF line button (1) on the control board, and its use causes the immediate stop of all moving parts and of the washing programme.

It is possible to install additional optional stop devices near the entrance and the exit of the baskets.

6.7 Temperature and working hours display

It is possible to visualise washing and rinsing temperatures at any moment.

Simply keep button (2) pressed for a few seconds.

The display will show, in sequence, the washing temperature “t”, the rinsing temperature “b”, and the machine hours of work “Hr”.

The message is displayed twice.

6.8 Limit switch device

The machine must work with a limit switch installed on the exit plane of the baskets (see installation chapter).

The display will show the message “End” when a basket exiting the machine reaches the end of the plane, and the conveyor stops until the basket is removed (Fig. 3).

Simply remove the basket from the end of the plane to restart the machine completely.

If the basket is not removed within a few minutes, the machine will switch off, in a succession, the rinsing area, the washing area, the pre-wash area and, finally, the drying area, when installed.

6.9 Regulations

It is possible to regulate the temperature and the dispensing times.

With reference to Figure 7

- Switch the machine off by pressing the line button (1) (Fig. 7/A)
- Open the door of the machine (Fig. 7/B)
- The display will show the message “door” (Fig. 7/C)
- Keep buttons (1) and (2) simultaneously pressed for a few seconds. (Fig. 7/D)
- The display will alternate messages “CH” and “0”.
- Scroll through the numbers using buttons (3) and (4) until you reach “12”. (Fig. 7/E)
- Press line button (1) (Fig. 7/F).
- Select the parameter you wish to regulate by scrolling through the list with buttons (1) and (2) (Fig. 7/G).
- The display will show, in sequence, the parameter and the set value (Fig. 7/H).
- Use buttons (3) and (4) to set the desired value. (Fig. 7/I)
- Once all regulations are concluded, keep the line button (1) pressed for a few seconds.
- The new settings are now memorised and the display will show the message “- - - -”. (Fig. 7/M)

6.9.1 temperatures

It is possible to set the washing and rinsing temperatures of all washing programmes, with the exception of the Glass programme.

Parameter	Programme rinsing temperature	range of regulation (° C)
b1	“SP1”	“oFF”, 1,2...90
b2	“SP2”	
b3	“AP1”	

Parameter	Programme washing temperature	range of regulation (° C)
t1	“SP1”	“oFF”, 1,2...70
t2	“SP2”	
t2	“AP1”	

6.9.2 dispensers

It is possible to adjust the dosing time, in seconds, for the rinse aid and detergent dispensers.

Parameter	Dosing time	range of regulation (s)
dt	detergent	oFF,1,2...25
bL	rinse aid	oFF,1,2...25

It is possible to manually load the dosing circuit.

Proceed as follows:

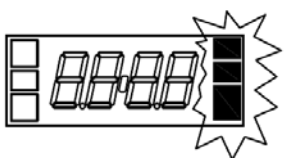
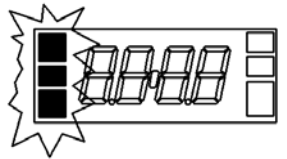
- Select, from the menu, parameter "**bn**" if you wish to load the rinse aid circuit, or "**dn**" if you want to load the detergent circuit.
- The display will show, in succession, "**bn**", "**oFF**", if you selected the rinse aid circuit, or "**dn**", "**oFF**" if you selected the detergent circuit.
- Keep button (3) pressed.
- The corresponding dispenser will start loading the circuit and the display will show "**on**" instead of "**oFF**".
- To stop the dispenser, simply release button (3).

6.10 User messages

Display	Message description
door	open door
b	temperature of rinsing water
t	temperature of washing water
Fl	first load activation
FILL	Tank filling
nodt	No detergent
nobL	No rinse aid
Fu A	firmware revision
C5	software code
Hr	number of hours of work
End	The limit switch has tripped

6.11 Function and status bars

The machine is equipped with coloured LED indicators that show the status and the functions of the machine in real time.

FUNCTION BAR (LED)		
	Green	No alarm
	Orange	Alarm reporting a malfunction that does not require the machine to be stopped
	Red	Alarm that stops the machine from working
ALARM BAR (LED)		
	Fixed green	Machine in proper temperatures and ready to use
	Moving green	Active washing
	Moving orange	Ongoing heating

6.12 Self-diagnosis

The machine is equipped with a self-diagnosis system that can detect and report different kinds of malfunctioning

Display	Error description and possible solutions	
Er03	Thermostop time out	The temperature of the boiler has not reached the set value in the pre-established time. Please contact the assistance centre
Er04	Tank loading time out	Failure to reach the proper level of water in the washing tank. Switch the machine off and on again after making sure that the overflow device has been correctly installed, and after opening the water supply. If the problem continues, contact the assistance centre.
Er05	Tank probe "open"	The probe that measures the temperature of the tank is not working. The heating function is impaired. Contact the assistance centre.
Er06	Tank probe "closed"	
Er07	Boiler probe "open"	The probe that measures the temperature of the probe is not working.
Er08	Boiler probe "closed"	

		The heating function is impaired. Contact the assistance centre.
ErSF	Electromechanical safety	The mechanical safety on the basket conveyor has intervened. Switch the machine off and make sure there are no objects preventing the motion of the conveyor inside the machine; remove the obstruction, if identified. If the problem continues, please contact the assistance centre.
Er23	Draining time out	The tank has not been drained after the double rinse. Switch the machine off and clean the relative filter. If the problem continues, please contact the assistance centre.
Er24	Break-tank loading time out	Failure to reach the correct level of water in the break tank Switch the machine off and then on again after opening the water supply and making sure that the capacity of the water mains is sufficient, in accordance with the data in the information plate. If the problem continues, contact the assistance centre.
Er51	Temperatures electromechanical safety	The safety thermostats have intervened. Please contact the assistance centre.

Warning:

When the machine is switched off and then on, the alarm is initially reset, but will be displayed again if the cause of the problem is not solved.

6.13 End of washing operations

With reference to Figure 8

- Stop the machine using the line button (Fig. 8/A)
- Switch off the wall-mounted main switch (Fig. 8/B)
- Open the doors, making sure they are firmly hooked to their supports. (Fig. 8/C)
- Remove the horizontal filters, being particularly careful so as not to drop residues of food inside the washing tank. (Fig. 8/D)
- Lift the vertical filter and dispose of its contents. Use a hard brush to rinse the horizontal and the vertical filters. (Fig. 8/D)
- Slide out the overflow and allow the tank to drain. (Fig. 8/F)
- Accurately wash the bottom of the tank with a jet of water.
- Accurately wash the curtains.
- Remove any traces of dirt from the empty tank. At this point only, remove the safety filter of the pump and wash it under running water. (Fig. 8/G)
- The external parts of the machine must be cleaned when their surfaces are cool, using a sponge and non-foaming products that must be neither acid nor abrasive.
- Reinsert the overflow devices, the safety filters and the tray filters.

The machine is now ready to use.

WARNING: Do not wash the machine with water streams or high-pressure water directly applied to it, as any leaks into the electric components may compromise the regular function of the machine and of its safety systems, annulling the warranty.

It is advisable to leave the doors open, to avoid the formation of unpleasant smells.

6.14 Positioning the dishes

With reference to Figure 5

- Place the cups and glasses upside down in the baskets.
- Place the dishes in the dish basket with support shafts, with the inner surface turned upwards.
- The handles of all flatware and teaspoons must be pointing downwards, in the flatware basket.

Recommendations:

- Do not put silver and stainless steel flatware in the same flatware basket, as this would stain the silver and likely corrode the stainless steel.
- Use the specific baskets, created especially for different kinds of items to be washed (dishes, glasses, cups, flatware etc).
- To save both washing liquid and electricity, only wash full, but not overloaded, baskets.
- Avoid overlapping items.
- To reduce maintenance to a minimum, **we advise** pre-cleaning the items by removing food residues, bits of lemon, toothpicks, olive pits etc, which could otherwise clog the filter of the electro-pump, reducing the efficacy of the wash and reducing the quality of the final result.
- It is advisable to wash the dishes before the food residues on their surface dries out. In case of hardened dirt, the dishes should be left to soak before being placed in the machine.

Cap 7 MAINTENANCE

7.1 General rules

These machines were designed to reduce the need of maintenance to a minimum. The rules below must be followed in all cases, in order to guarantee a long useful life and operation without inconveniences.

In any case, a few general rules should be followed to keep the machines working properly:

- keep the machine clean and ordered
- avoid turning temporary or urgent repairs into permanent ones

Strictly following routine maintenance rules is extremely important. All machine parts must be regularly checked to prevent anomalies, thus reducing the necessary times for a maintenance intervention.

Prior to cleaning the machine, cut off its power supply.

7.2 Periodical maintenance

With reference to Figure 9

- Disassemble the upper and lower rinsing arms.
- Clean all nozzles, removing any obstruction found, and reassemble them.
- Disassemble the curtains and clean them with a nylon brush under running water.
- Disassemble the upper and lower washing arms and rinse them.
- Remove the washing pump filter and rinse it.
- Clean the washing tank thoroughly.
- Due to the calcium and magnesium salts present in the water, after a certain period of operation, which varies according to the hardness of the water used, a calcareous layer deposits in the inner surfaces of the boiler tank and of the pipes, compromising the proper functioning of the machine.
- It is therefore necessary to periodically remove incrustations, an operation that should be carried out by technically qualified personnel.
- If the machine is to be left unused for a long period of time, the steel surfaces must be greased with Vaseline oil.
- If there is danger of water freezing, have technically qualified personnel drain the boiler water and the washing pump water.
- If intense calcareous deposits form inside the machine in the presence of water, use an incrustation removing product.
- To remove the incrustations, carefully follow the instructions of the manufacturer of the product, or seek the assistance of qualified personnel. In any case, always rinse the machine thoroughly after removing incrustations.
- Make sure the safety devices are working efficiently.
- If the steam condensing battery is dirty, disassemble it and clean the spaces between the flaps using compressed air.
- **REMINDERS:**

Every mechanical and electromechanical part of the machine is subject to physical wear. A qualified technician must carry out periodical inspections on:

 - Conveying system sledges
 - Washing/rinsing electro-pump seals
 - Door guides and springs
 - Remote control switch
 - Safety devices

In addition, it is obligatory to test and inspect the devices that are not part of the machine, such as earthing differential, proper earthing, automatic switches and/or fuses in the power line, every electric conductor, the status of water pipes, discharge system, proper functioning of dispensers.
- **In case of malfunctioning, seek only technical assistance centres authorised by the manufacturer or by the manufacturer's dealer.**

Cap 8 DISPOSAL



Our machines do not contain any material that requires particular disposal procedures. (Applicable in European Union countries and in countries with selective waste collection) The marking on the product or on its documents means that the product must not be disposed of as domestic waste at the end of its working life. To avoid damages to the environment or to the health due to the incorrect disposal of waste, users should separate

this product from other kinds of waste, and recycle it responsibly to promote the sustainable reuse of material resources.

Domestic users should contact their dealer, or the local office in charge of providing information regarding selective waste collection and recycling options for this kind of product.

Corporate users should contact their supplier and verify the terms and conditions of the purchase contract.

This product must not be disposed of with other commercial waste.

Cap 9 ENVIRONMENT

ENVIRONMENTALLY SAFE USE

- A conscious use of the dish washer may help reduce environmental impact, simply by following a few indications in every day use, such as:
- Only wash fully loaded baskets.
- Switch the dish washer off when not in use.
- Keep the machine closed when in stand-by mode.
- Use programmes suitable for the level of dirt.
- Supply the machine with hot water, if the water is heated with gas.
- Make sure that the drained water is conveyed to suitable sewage system.
- Do not exceed the recommended detergent doses.

The manufacturer is entitled to carry out electrical, technical and aesthetic modifications to the machine, and/or to replace parts without previous notice, whenever deemed necessary, in order to offer a reliable, long-lasting product with advanced technology.

The manufacturer is entitled, according to the property law described in this document, to forbid this document from being reproduced and made public through any means without the manufacturer's express written authorisation.

The manufacturer is entitled to modify this document whenever necessary, in order to improve it.

INHALTSVERZEICHNIS

CAP 1	VORWORT	2
CAP 2	HANDLING UND TRANSPORT DER MASCHINE	2
2.1	TRANSPORT UND VERPACKUNG	2
2.2	HANDLING.....	2
2.3	EINLAGERUNG.....	3
2.4	ABMESSUNGEN	3
CAP 3	INSTALLATION	3
3.1	GEFAHRENBEREICHE.....	3
3.2	SCHALLDRUCKPEGEL	4
3.3	AUSPACKEN UND AUFSTELLEN.....	5
3.4	UMGEBUNGSBEDINGUNGEN:	5
CAP 4	INSTALLATION	5
4.1	STROMANSCHLUSS.....	5
4.2	WASSERANSCHLUSS	6
4.3	ANSCHLUSS ANS ABFLUSSNETZ	7
4.4	ANSCHLUSS DES ENDSCHALTERS.....	7
4.5	INSTALLATION DER DOSIERER	8
4.6	INBETRIEBNAHME.....	8
4.6.1	<i>Erstbefüllung des Boilers</i>	8
4.7	KONTROLLEN	8
4.8	WICHTIGE HINWEISE BEZÜGLICH DER ZU BEACHTENDEN SICHERHEITSVORSCHRIFTEN.....	10
CAP 5	MASCHINENBESCHREIBUNG	11
5.1	MASCHINENPLAN.....	11
5.2	GEFAHRENPUNKTE.....	12
5.3	SICHERHEITSVORRICHTUNGEN.....	12
5.4	NORMALER GEBRAUCH.....	12
CAP 6	GEBRAUCH DER MASCHINE	13
6.1	BESCHREIBUNG DER BEDIENELEMENTE	13
6.2	EINSCHALTEN DER MASCHINE	13
6.3	AUFHEIZEN	13
6.4	SPÜLEN	13
6.5	SPÜLPROGRAMME	13
6.6	STOPPVORRICHTUNGEN	14
6.7	ANZEIGE VON UHRZEIT UND BETRIEBSSTUNDEN.....	14
6.8	ENDSCHALTER	14
6.9	EINSTELLUNGEN.....	14
6.9.1	<i>Temperaturen</i>	14
6.9.2	<i>Dosierer</i>	15
6.10	BETRIEBSMELDUNGEN.....	16
6.11	FUNKTIONS- UND STATUSLEISTE	16
6.12	SELBSTDIAGNOSE	16
6.13	MAßNAHMEN NACH DEM SPÜLEN	18
6.14	ANORDNUNG DES GESCHIRRS	18
CAP 7	WARTUNG	19
7.1	ALLGEMEINE REGELN	19
7.2	REGELMÄßIGE WARTUNG	20
CAP 8	ENTSORGUNG	21
CAP 9	UMWELT	21



Die in diesem Handbuch enthaltenen Hinweise enthalten für Installation, Gebrauch und Wartung wichtige Sicherheitshinweise. Die Nichtbeachtung der in der beiliegenden Dokumentation enthaltenen Anweisungen kann die Sicherheit des Geräts beeinträchtigen und zum sofortigen Verfall der Garantie führen.

Hinweis:

Bewahren Sie die Dokumentation sorgfältig in der Nähe des Geräts auf; übergeben Sie sie an Techniker und Bediener und bewahren Sie sie dauerhaft intakt und unversehrt an einem sicheren Ort auf; fertigen Sie für häufiges Nachschlagen ggf. Kopien an.

Der Bediener ist verpflichtet, das Handbuch zu lesen, zu verstehen und zu erfassen, bevor er Maßnahmen irgendeiner Art an der Maschine vornimmt.

Das Gerät ist ausschließlich zum Betrieb als Korbtransportspülmaschine bestimmt, d.h. Installation, Gebrauch und Wartung obliegen auf jeden Fall geschultem Fachpersonal, das sich an die Vorgaben des Herstellers hält.

Garantie:

Für Sach- und Personenschäden infolge von Nichtbeachtung der Anweisungen bzw. durch unsachgemäßen Gebrauch übernimmt der Hersteller weder Haftung noch Garantie

Die Nichtbeachtung der in der beiliegenden Dokumentation enthaltenen Anweisungen kann die Sicherheit des Geräts beeinträchtigen und zum sofortigen Verfall der Garantie führen

Installation und Instandsetzung durch unbefugtes Personal bzw. die Verwendung nicht originaler Ersatzteile führt zum sofortigen Verfall der Garantie.

Cap 2 HANDLING UND TRANSPORT DER MASCHINE



2.1 Transport und Verpackung

Der Transport der Maschine kann auf zwei Weisen erfolgen:

- mittels LKW
- mittels Container

Die Verpackung ist in beiden Fällen gleich.



2.2 Handling

- Das Handling der Maschine hat mit großer Sorgfalt mittels Gabelhubwagen zu erfolgen.
- Die Hebepunkte sind an der Maschine mit entsprechenden Aufklebern gekennzeichnet.



- Während des Transports ist es verboten, sich in der Nähe der Maschine aufzuhalten. Es besteht Kippgefahr und die Gefahr schwerer Schäden an umstehenden Personen.
- Es kann zu Verletzungen durch Aufprall, Einzug, Quetschen bei der Maschine bei Handling und Einlagerung der Maschine kommen.

2.3 Einlagerung

Zur Einlagerung der Materialien müssen Paletten, Behälter, Förderer, Fahrzeuge, Ausrüstung und geeignete Hubmittel vorgesehen werden, um Schäden durch Schwingungen, Aufprall, Abrasion, Korrosion, Temperatur oder sonstige widrige Umstände zu vermeiden. Eingelagerte Teile müssen regelmäßig auf etwaigen Verschleiß hin überprüft werden.

Lagerung:

Transport und Aufbewahrung: zwischen -10°C und 55°C mit Spitzen bis 70°C (für max. 24 Stunden)

2.4 Abmessungen

Die Korbtransportspülmaschinen werden in verschiedenen Modellen gebaut, deren Layout mit Angaben der Abmessungen im Lieferumfang enthalten ist.

Cap 3 INSTALLATION

3.1 Gefahrenbereiche

Bestimmung der Gefahrenbereiche (siehe Abb. auf der nachstehenden Seite), deren Auftreten sowie allgemeine Beschreibung der ergriffenen Maßnahmen.



BEWEGTE
TEILE

Einzugs- und Mitnahmegefahr

- Auf der Transportfläche



HEISSE
FLÄCHE

Gefahr durch Hitze

- an den Zugangstüren zum Spül-/Nachspülbereich
- an den Wänden bei der Trocknung
- bei Installation und Wartung der Maschine am Boiler.



GEFÄHRLICHE
SPANNUNG

Gefährliche Stromspannung

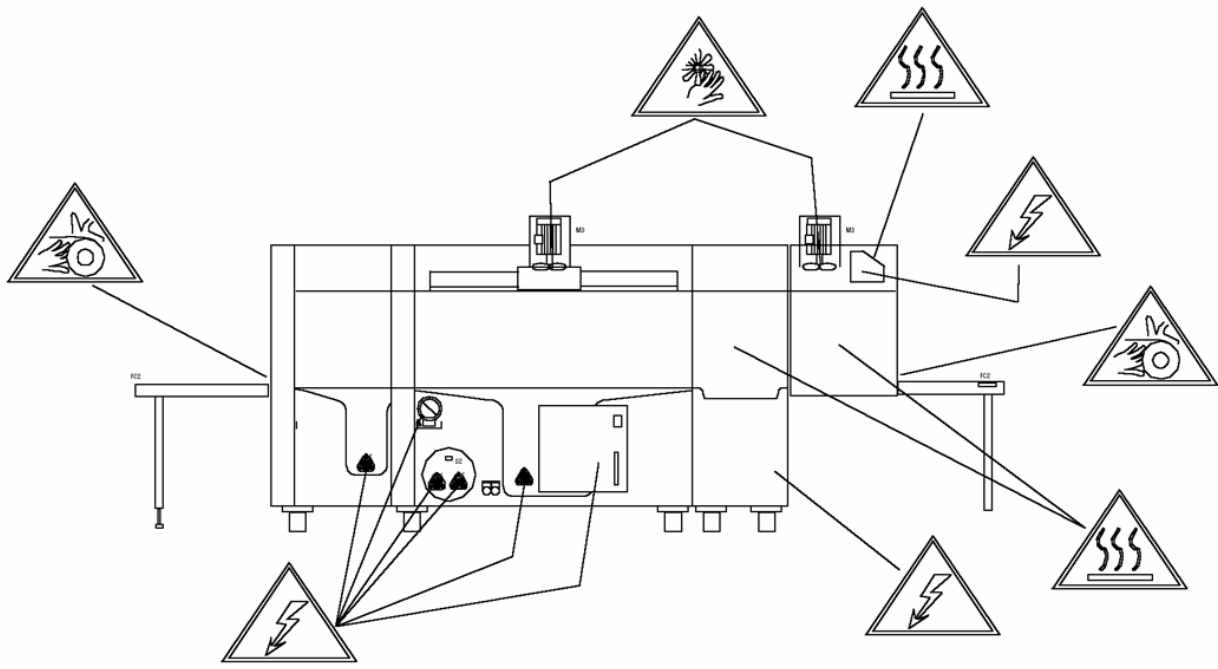
- Hauptschaltkasten
- Elektropumpen
- Lüfter
- Heizelemente



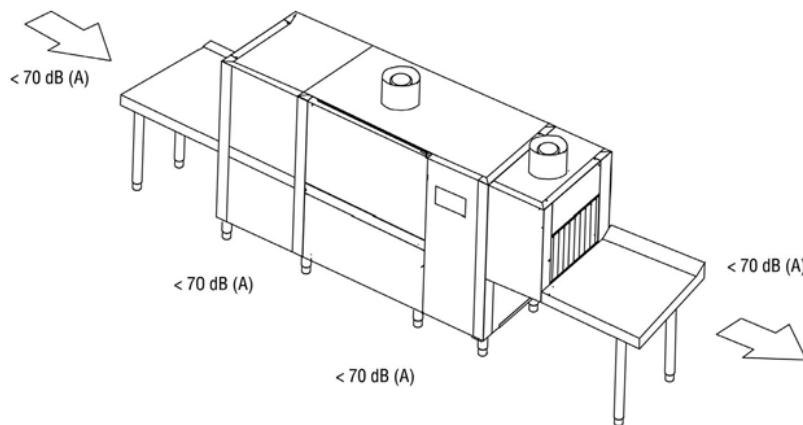
Schnittgefahr

- an der Saugseite des Ventilators

An der Maschine sind festgeschraubte Schutzverkleidungen vorhanden, die den Zugang zum Maschineninneren und zu den bewegten Teilen begrenzen.



3.2 Schalldruckpegel



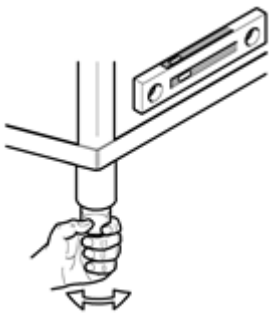
3.3 Auspacken und Aufstellen

Bei Erhalt der Lieferung öffnen Sie die Verpackung der Maschine und überprüfen Sie Maschine und Zubehör auf etwaige Transportschäden; etwaige Schäden müssen dem Transportbeauftragten unverzüglich mitgeteilt werden. Nicht mit der Installation fortfahren, sondern wenden Sie sich an befugtes Fachpersonal.

Der Hersteller übernimmt für Transportschäden keinerlei Haftung.

Verpackungselemente (Plastiktüten, Styropor, Holzleisten, Nägel, usw.) sind potentielle Gefahrenquellen und müssen als solche für Kinder unzugänglich aufbewahrt werden.

Beachten Sie bei der Aufstellung der Maschine die Angaben des allgemeinen, separat gelieferten Installationsplans und berücksichtigen etwaige räumliche Anforderungen für die Wartung.



Bringen Sie die Füße an den Stützen der Maschine an und regeln Sie die korrekte Position mit den schraubbaren Füßen. Aufgrund der Länge der Maschine ist die Verwendung einer Wasserwaage unerlässlich.

Achtung:

Die Maschine während der Aufstellung nicht verrutschen, was zu Strukturschäden der Maschine führen könnte.

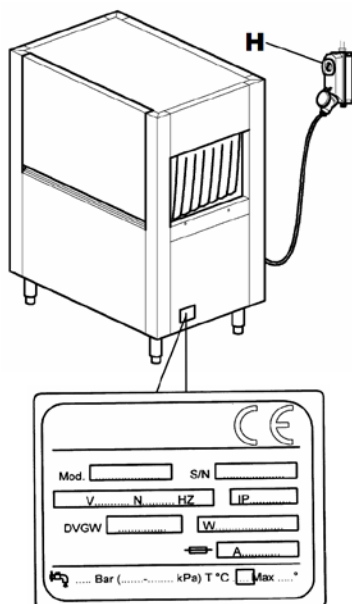
Der Boden muss vollkommen eben sein und die für das Gesamtgewicht der Maschine zulässige Traglast aufweisen.

3.4 Umgebungsbedingungen:

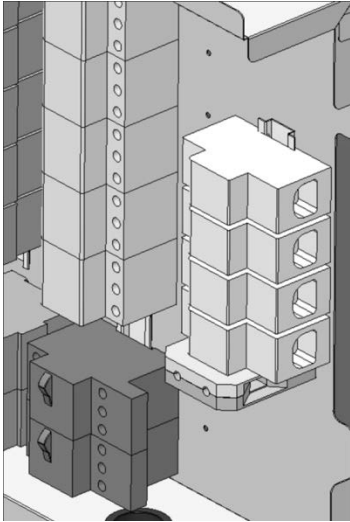
- Umgebungstemperatur: max./min. 40°C / 4°C (Durchschnitt 30°C)
- Höhe: bis 2000 m
- Relative Luftfeuchte: Max. 30% bei 40°C / max. 90% bei 20°C

Cap 4 INSTALLATION

4.1 Stromanschluss



- **Achtung! Die Installation darf ausschließlich von Fachpersonal vorgenommen werden!**
- Vor dem Geräteanschluss sicherstellen, dass Netzspannung und Netzfrequenz mit den Angaben auf dem seitlich an der Maschine angebrachten Typenschild übereinstimmen.
- Die Maschine muss gemäß den geltenden Sicherheitsvorschriften mit einem mehrpoligen Schutzschalter mit Sicherung und 3 mm Mindestöffnung zwischen den Kontakten ans Stromnetz angeschlossen werden. Dieser Schalter gehört nicht zum Lieferumfang der Maschine und muss in leicht zugänglicher Position zwischen 0,6 m und 1,70 m Höhe an einer Wand installiert werden.
- Vor dem Anschluss ans Stromnetz sicherstellen, dass die Versorgungsleitung nicht unter Spannung steht.



- Vorderseite und Schutz vom Schaltkasten abschrauben.
 - Das Stromkabel durch die Kabelverschraubung führen.
 - Das Kabel an den vorgesehenen Klemmen am Schaltkasten nach den Vorgaben im Schaltplan anschließen.
 - Bei einer falschen Verbindung von Neutralleiter und Erdungskabel können irreversible Maschinenschäden entstehen, die Garantie verliert ihre Gültigkeit.
 - Kontrollieren Sie den Anzug der Kabel an den Schützen und Relais, FI-Schutzschaltern, usw., da sich die Schrauben beim Transport möglicherweise gelockert haben.
 - Vorderseite und Schutzverkleidung sowie Bedienpult wieder festschrauben.
- Das Versorgungskabel vom Typ H07RN-F darf beim normalen Betrieb oder während der ordentlichen Wartung weder unter Zug stehen noch gequetscht werden.
 - Des Weiteren muss das Gerät in ein Potentialausgleichssystem eingegliedert werden, dessen Anschluss über eine Schraube mit der Kennzeichnung ∇ erfolgt.
 - Der Potentialausgleichsleiter muss einen Querschnitt von 10 mm² aufweisen.



Die Verwendung von Mehrfachsteckdosen, Adaptern, Kabeln mit ungeeignetem Typ oder Querschnitt sowie nicht gesetzeskonformer Verlängerungskabel ist untersagt.

4.2 Wasseranschluss

Am Installationsort die im beiliegenden Installationsplan genannten Vorkehrungen treffen.

Vor dem Anschluss ans Wasserversorgungsnetz sicherstellen, dass zwischen Anschluss und Gerät ein Absperrventil angebracht ist, mit dem die Wasserzufuhr nach Bedarf und zu Reparaturzwecken abgedreht werden kann.

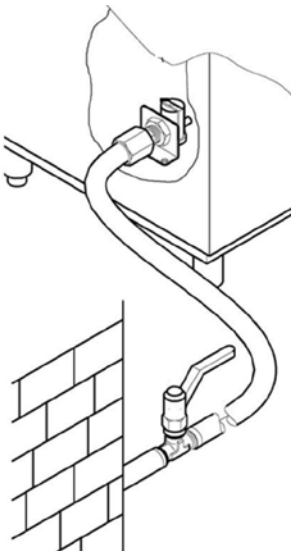
Gehen Sie des weiteren sicher, dass die Durchflussmenge mindestens 20 l/min beträgt.

Sicherstellen, dass Wassertemperatur und -Druck mit den Angaben auf dem Typenschild übereinstimmen.

Liegt die Wasserhärte über den in der Tabelle genannten Werten, empfehlen wir die Installation eines dem Versorgungs-Magnetventil vorgeschalteten Wasserenthärterers.

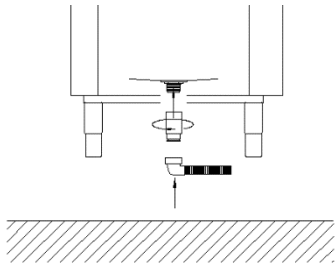
Bei sehr hohen Mineralrückständen im Wasser mit hoher Leitfähigkeit empfehlen wir die Installation einer geeigneten Entkalkungsanlage, dass die verbleibende Wasserhärte mit den Angaben in nachstehender Tabelle übereinstimmt.

ACHTUNG, bei hohem Natriumchloridgehalt kann es zur Rostbildung kommen.

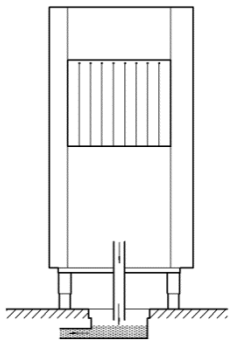


	Merkmale		Min.	Max.
Härte	französische Grad	f	5	10
	deutsche Grad	°dH	4	7,5
	englische Grad	°e	5	9,5
Mineralrückstände	Parts per million	ppm	70	140
	Höchstwert	mg/l	300/400	

4.3 Anschluss ans Abflussnetz

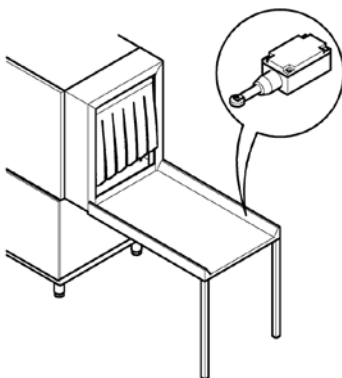


- Die Korbtransportspülmaschinen sind für den Dauerbetrieb konzipiert und benötigen folglich mechanisch funktionierende, hocheffiziente Abflussvorrichtungen.
- Die Position entnehmen Sie dem beiliegenden Installationsplan.
- Zum Anschluss der Abflüsse der Maschine ans Netz verwenden Sie bis Dauertemperaturen von 70° resistente Rohre.
- Verwenden Sie das im Lieferumfang enthaltene Abflussrohr und den Stutzen.
- Für das Abflusssystem ist ein Siphon erforderlich.



4.4 Anschluss des Endschalters

Für den Maschinenbetrieb ist die Installation eines Endschalters VERPFLICHTEND.



- Der Endschalter muss auf der Ausführebene installiert werden.
- Die mechanische Fixierung muss der Anwendung entsprechen.
- Empfohlen wird die Verwendung eines Endschalters mit Rollhebelaktivierung, der die Kontaktfläche erhöht und die Wirkung des mechanischen Kontrasts dämpft.
- Es muss der korrekte Betrieb mit allen verwendeten Körben überprüft werden.
- Die Schutzart muss mindestens IP55 betragen.
- Der Schalter muss als Öffner angeschlossen sein (normally closed NC)
- Die Mindest-Nennleistung muss 240V 1,5A betragen
- Empfohlene mechanische Lebensdauer 10.000.000 Zyklen.

4.5 Installation der Dosierer

Die Maschine verfügt über eigene Ausgänge für die Dosierer von Klarspüler und Geschirrspülmittel. Beachten Sie beim Anschluss der Dosierer den Schaltplan, um den korrekten Maschinenbetrieb zu gewährleisten.

Die Dosierung von Klarspüler und Geschirrspülmittel hat über automatische Dosierer zu erfolgen. Die Produktmenge wird abhängig von der Wasserhärte vom Installateur festgelegt, der auch die Einstellung der Dosierer vornimmt.

Weitere Hinweise zum Befüllen des Dosierungskreises und zu den entsprechenden Einstellungen entnehmen Sie dem Kapitel "Einstellungen".

- Der Füllstand der Flüssigkeiten in den Vorrats-Behältern darf niemals vollständig geleert werden.
- Es dürfen keine korrosiven oder verunreinigten Mittel nachgefüllt werden.
- Die Verwendung chlorhaltiger Mittel, die zur Bildung von Chloriden führen, welche bei Konzentrationen von über 50 ppm Korrosion verursachen können, ist untersagt.
- Von einer manuellen Dosierung der Mittel wird abgeraten.
- Für alle weiteren Installationen siehe den Schalt- und Installationsplan.
- Die Maschine ist für Mehrspannungs-Dosierer bzw. Dosierer mit einer Leistungsaufnahme von über 5 A pro Ausgang nicht geeignet.
Sollen derartige Dosierer verwendet werden, ist der Anschluss an ein externes 16 A Relais erforderlich.

4.6 INBETRIEBNAHME

4.6.1 Erstbefüllung des Boilers

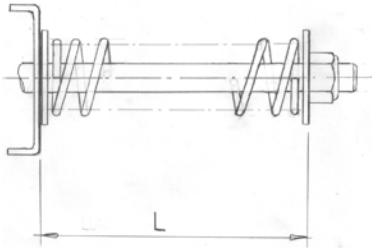
Siehe Abb. 2 und 6

- Öffnen Sie das Absperrventil des Versorgungswassers (Abb. 2/A)
- Stellen Sie mit dem Hauptschalter die Stromversorgung her (Abb. 2/B)
- Auf dem Display werden 4 Querbalken angezeigt (Abb. 2/C)
- Zum Einschalten der Maschine drücken Sie die Ein-/Aus-Taste (1). (Abb. 2/D)
- Auf dem Display werden abwechselnd die Meldungen "**FI?**" "**no**" angezeigt (Abb. 6/A)
- Wählen Sie mit Taste (3) "**Yes**" (Abb. 6/A)
- Zur Bestätigung Taste (2) gedrückt halten. (Abb. 6/C)
- Die Maschine mit dem automatischen Befüllen des Boilers, auf dem Display erscheint die Anzeige "**FI**" (Abb. 6/D)
- Sobald auf dem Display abwechselnd die Meldungen "**LoAd**" "**End**" angezeigt werden, ist die Befüllung abgeschlossen und die Maschine ist betriebsbereit. (Abb. 6/E)

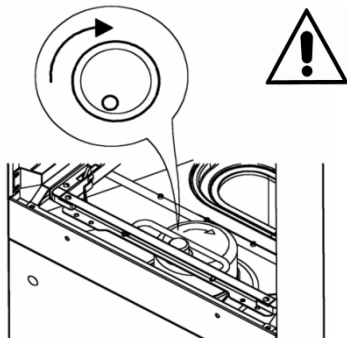
4.7 Kontrollen

- Sicherstellen, dass der Wasserfüllstand in der Spülwanne nach dem Befüllen 1-2 cm unterhalb des Überlaufs liegt.
- Sicherstellen, dass die Temperatur in der Spül- und Nachspülwanne den Einstellungen entspricht
- Korrekten Betrieb der Dosierer überprüfen.
- Korrekten Betrieb des Nachspül-Economizers überprüfen: die Warmwasserabgabe muss erfolgen, sobald sich der Korb unterhalb der Nachspüldüsen befindet und stoppen, sobald der Korb die Station verlässt.
- Korrekten Betrieb des Endschalters der Maschine überprüfen, der den Betrieb von Vorschubmotor und Pumpe stoppen muss, sobald der Korb am Ende der Ebene angelangt ist. Wird der Korb entnommen, muss der Betrieb wieder aufgenommen werden.
- Die Drehrichtung der Pumpen kontrollieren; sollten sie in Gegenrichtung drehen, müssen zwei

Phasen des Versorgungskabels umgekehrt werden.



- Die Einstellung des mechanischen Sicherheitssystems des Förderers überprüfen, die unter Berücksichtigung der Gesamtlänge der Maschine und der Ausfuhrtische zu erfolgen hat. Bei voller Beladung aller Körbe mit Tellern darf der Vorschub des Förderers nicht blockiert werden. Die Einstellung erfolgt durch Betätigung der Schraube am Bügel, der die Fördereinheit stützt. Die empfohlene Länge "L" sollte zwischen mindesten 60 mm und höchstens 75 mm betragen (siehe Abbildung) Bei komplexen Anwendungen wenden Sie sich an ein Servicezentrum.




- Sicherstellen, dass die Drehrichtung den Angaben in der Abbildung und der Markierung auf dem mittleren Förderer entspricht.

ACHTUNG: bei falscher Drehrichtung wird die mechanische Sicherheit außer Kraft gesetzt.

- Den Manometer beim Nachspülen kontrollieren. Ggf. den Druckregler betätigen und den Wert gemäß den Tabellenangaben einstellen:

Version	Liter/Stunde	bar
Ohne Vorspülen	160	0,6
Mit Vorspülen	270	0,7




Bei Nichtbeachtung der besagten Kontrollen verliert die Garantie automatisch ihre Gültigkeit.

NACH DER INSTALLATION

- Der Installateur ist verpflichtet, den Hersteller über etwaige, bei der Abnahme aufgetretenen Funktionsstörungen oder Sicherheitsprobleme zu informieren.
- Die Maschine darf erst nach abgeschlossener Installation verwendet werden.
- Der Techniker muss die "fachgerechte" und gesetzesgemäße Ausführung seiner Arbeit schriftlich bestätigen.

4.8 Wichtige Hinweise bezüglich der zu beachtenden Sicherheitsvorschriften

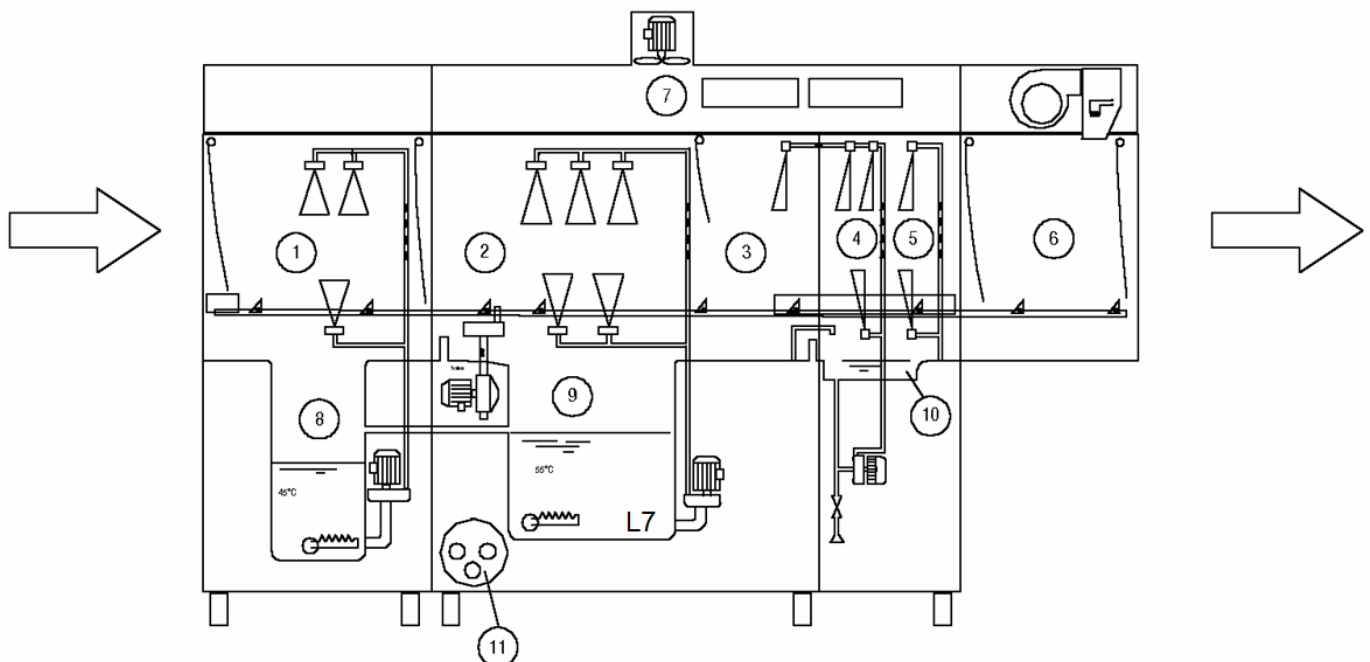
- Das Gerät darf ausschließlich zu dem Zweck verwendet werden, zu dem es ausdrücklich konzipiert wurde. Jeder weitere Gebrauch gilt als unsachgemäß und somit als gefährlich.
- Das Gerät muss witterungsgeschützt sein (gegen Regen, Sonne, usw.)
- Das Gerät darf nicht von Kindern oder unfähigen Personen verwendet werden.
- Die Maschine darf nur von geschultem Personal verwendet werden.
- Die Maschine stets voll funktionstüchtig halten und die verschiedenen Schutzvorrichtungen, mit denen sie ausgestattet ist, verwenden. Die regelmäßige Wartung muss von qualifiziertem Fachpersonal durchgeführt werden. Vor allem ist eine regelmäßige fachliche Überprüfung aller Sicherheitsvorrichtungen erforderlich.
- Vor dem Anschluss des Geräts sicherstellen, dass die Daten auf dem Typenschild mit den Daten des Strom- und Wasserversorgungsnetzes übereinstimmen.
- Sicherstellen, dass die Maschine korrekt und vorschriftsgemäß geerdet ist. Diese grundlegende Sicherheitsanforderung muss unbedingt gegeben sein, verlangen Sie im Zweifelsfall eine umfassende Überprüfung der Anlage durch Fachpersonal.
- Sicherstellen, dass die Leistung der Stromanlage mit der maximalen Leistungsaufnahme des Geräts übereinstimmt. Wenden Sie sich im Zweifelsfall an einen Fachmann, der prüft, ob der Kabelquerschnitt der Anlage zur Leistungsaufnahme des Geräts passt.
- Die (nicht im Lieferumfang enthaltenen) vom Versorgungsnetz zum Hauptschalter führenden Kabel müssen mit den entsprechenden Gefahrenkennzeichnungen markiert sein.
- Für dieses Gerät ist ein Versorgungskabel Typ H07RN-F erforderlich.
- Vor Wartungseingriffen muss die Netzversorgung des Geräts durch Betätigung des Hauptschalters in der Zuleitung der Anlage getrennt werden.
- Bei Gerätestörungen und/oder Betriebsproblemen trennen Sie den Hauptschalter in der Zuleitung und nehmen Sie keine Reparaturen oder direkten Maßnahmen vor.
- Die etwaige Reparatur des Produkts darf ausschließlich vom Hersteller oder einem vertraglichen Servicezentrum ausgeführt werden, gestattet sind nur originale Ersatzteile.
- Die Nichtbeachtung der oben genannten Anweisungen kann die Sicherheit des Geräts beeinträchtigen.
- Zum Löschen von Bränden an den Elektrobauteilen kein Wasser, sondern Pulver-Feuerlöscher verwenden.
- Bei Nichtgebrauch der Maschine muss die Spannungsversorgung getrennt werden.
 - Keine Änderungen an den Schutzvorrichtungen vornehmen und diese nur bei Maschinenstillstand und getrennter Stromversorgung abnehmen.
- Soll ein Gerät dieser Art nicht mehr verwendet werden, so trennen Sie den Hauptschalter in der Zuleitung und klemmen Sie zur endgültigen Stilllegung das Versorgungskabel ab.
- Zur Reinigung und Pflege halten Sie sich genau an die Vorgaben im entsprechenden Handbuch des Herstellers.
- Belüftungsgitter nicht verschließen.
- Der Maschinenbetrieb ohne Gitter ist untersagt.
- Nach der Trennung der Spannungsversorgung ist der Zugang zum Bedienpult Fachpersonal vorbehalten.
- Die ungeschützten Hände nicht ins Spülwasser tauchen. Bei versehentlichem Augenkontakt mit reichlich klarem Wasser spülen und einen Arzt aufsuchen.
- Die Türen nicht zu schnell öffnen. Nach dem Stillstand der Motoren mindestens 15 Sekunden warten.
- Beim Öffnen der Türen darauf achten, dass sie korrekt in ihren Halterungen verankert werden.
- Bei einem durch eine Sicherheitsvorrichtung verursachten Stopp des Fördersystems entfernen Sie das Hindernis, das den Stopp ausgelöst hat, bevor Sie den Betrieb wiederherstellen.
- Sicherstellen, dass das verwendete Geschirr spülmaschinenfest ist.
- Vom Hersteller nicht vorgesehene Dosierer oder sonstige Geräte dürfen nicht verwendet werden, da sie die Sicherheits- bzw. Betriebsmerkmale der Maschine beeinträchtigen können.
- Ausschließlich nicht schäumende Geschirrspülmittel verwenden. Die Dosierung ist abhängig vom

Fassungsvermögen des Tanks und der Wasserhärte.

- Der Gebrauch von säurehaltigen, korrosiven Mitteln usw. zur Reinigung der Maschine und zum Geschirrspülen ist untersagt.
- Zum Spülen von Edelstahl sind Stahlwolle oder Stahlbürsten absolut verboten
- Aus Umweltschutzgründen empfehlen wir, keine korrosiven oder umweltschädlichen Mittel zu verwenden und die empfohlene Dosierung nicht zu überschreiten.
- Das Bedienpersonal der Korbtransportspülmaschine muss die gesetzlichen Hygienevorschriften nach dem Spülen genau beachten.
- Zum Herausholen von in die Maschine gefallener Gegenstände, stoppen Sie die Maschine und schalten Sie diese vollständig ab.
- Nähern Sie sich dem bewegten Förderer nicht mit Schmuck-Anhängern, Armbändern, langen Haaren oder übermäßig weiter Kleidung, es besteht Einzugs- und Mitnahmegefahr.
- Verwenden Sie die Maschine nicht als Ablagefläche für Gegenstände und Geräte.
- Die Maschine bei Nichtgebrauch stets mit dem mehrpoligen Hauptschalter in der Zuleitung abschalten.
- Die Wasserversorgung der Maschine bei Nichtgebrauch stets abdrehen.
- Die Maschine bei auftretenden Wasserleckagen sofort ausschalten.
- Bedenken Sie, dass die Maschine nie ohne die zugehörigen Schutzvorhänge betrieben werden darf.
- Der Korb darf erst entnommen werden, wenn er vollständig aus der Maschine ausgefahren ist

Cap 5 MASCHINENBESCHREIBUNG

5.1 Maschinenplan



- | | | |
|------------------------|---------------------------------------|-----------------|
| 1 Vorspülkammer | 5 Letzte Nachspülkammer | 9 Spültank |
| 2 Spülkammer | 6 Trockenkammer | 10 Nachspültank |
| 3 Nachspül-Vorkammer | 7 Dampfabscheidung und -Rückgewinnung | 11 Boiler |
| 4 Erste Nachspülkammer | 8 Vorspültank | |

Die Korbtransportspülmaschinen werden mit hochwertigen Materialien gefertigt, die Tanks aus AISI 304 Edelstahl, alle anderen Teile aus Edelstahl.

- In Bereich 1, Vorspülen, erfolgt eine erste Grobreinigung des Geschirrs.

- In Bereich 2, Spülen, erfolgt die Reinigung des Geschirrs.
- In Bereich 3, 4, 5 erfolgt das Nachspülen
- In Bereich 6 erfolgt die Trocknung des Geschirrs
- In Bereich 7 erfolgen Dampfabscheidung und Wärmerückgewinnung.
- Die Mitnahme der Körbe erfolgt automatisch durch die verschiedenen Bereiche durch einen beidseitigen Förderer



5.2 Gefahrenpunkte

Ein Gefahrenpunkt bzw. ein Gefahrenbereich ist ein Maschinenbereich, in dem es bei Missachtung der nachstehenden Anweisungen zu Unfällen kommen kann.

- Falls der Förderer während des normalen Betriebs blockiert, drücken Sie die Ein-/Aus-Taste. Nehmen Sie die Maschine erst wieder in Betrieb, wenn die Ursache der Blockierung überprüft und behoben wurde.
- Der Zugang über den Ein- und Ausgang des Förderers zum Maschineninneren ist während des Betriebs verboten und höchstgefährlich.
- Reparaturen am Fördersystem und an der Elektrik sind während des Betriebs verboten und höchstgefährlich.
- Der Maschinenbetrieb ist ohne Überwachung eines Bedieners verboten.
- Mit ungeschützten Hände nicht ins Wasser der Tanks langen.
- Die Betätigung des Schalters zum Ein- bzw. Ausschalten der Maschine mit nassen Händen ist verboten.
- Der Zugang zum Inneren des Schaltschranks ist strengstens verboten.

5.3 Sicherheitsvorrichtungen

- An den Türen sind Magnetschalter angebracht, welche die Vorspül-, Spül- und Nachspülfunktion sowie den Korbförderer unterbrechen, sobald die Türen geöffnet werden.
- Schutz gegen ungewollten Maschinenstart. Kommt es aufgrund eines Stromausfalls zu einem Maschinenstopp, so wird der Betrieb bei Wiederherstellung nicht automatisch wieder aufgenommen.
- FI-Schutzschalter für Elektropumpen und Motoren, die bei Kurzschluss oder Überlast deren Unversehrtheit garantieren.
- FI-Magnetschutzschalter oder Sicherungen für alle Heizelemente, die bei Kurzschluss oder Überlast deren Unversehrtheit garantieren.
- Sicherheits-Thermostat am Boiler. Sollte ein Temperatur-Thermostat ausfallen, kommt ein Sicherheits-Thermostat zum Einsatz, der den Betrieb der Heizelemente unterbricht.
- Sicherheits-Mikroschalter am Förderer. Kommt es zu einer ungewollten Blockierung oder Überlastung des Förderers, unterbricht ein Mikroschalter in der Nähe des Getriebemotors die Mitnahmefunktion.
- Tür-Sicherung. Werden die Türen geöffnet, verhindern Halte-haken das ungewollte Schließen, falls eine Feder gebrochen sein sollte.
- Alle Bedienelemente in Niederspannung ausgeführt.

5.4 Normaler Gebrauch

- Die Korbtransportspülmaschinen wurden ausschließlich zum Spülen von Tellern, Gläsern, Tassen, Besteck und Ähnlichem in einem speziell dafür vorgesehenen Korb konzipiert. Jeder davon abweichende Gebrauch ist nicht zulässig.
- Die Sicherheits-, Arbeits- und Wartungsvorschriften des Herstellers müssen beachtet werden.
- Alle einschlägigen Vorschriften zur Unfallverhütung sowie sonstige weitere, anerkannte technische Sicherheitsvorschriften müssen beachtet werden.
- Die Maschine darf nur von Personen bedient werden, die ausführlich über mögliche Gefahren aufgeklärt wurden.
- Die Maschine darf nur mit originalen Zubehör- und Ersatzteilen betrieben werden.

Cap 6 GEBRAUCH DER MASCHINE

6.1 Beschreibung der Bedienelemente

Siehe Abbildung 1

1	EIN/AUS-Taste	5	ANZEIGE-DISPLAY
2	START-/STOPP-TASTE	6	FUNKTIONSLAISTE (LED)
3	PROGRAMMWAHL-TASTE	7	ALARM-LAISTE (LED)
4	SONDERPROGRAMMWAHL-TASTE		

6.2 Einschalten der Maschine

Siehe Abbildung 2

- Öffnen Sie das Absperrventil des Versorgungswassers (Abb. 2/A)
- Stellen Sie mit dem Hauptschalter die Stromversorgung her (Abb.2/B)
- Auf dem Display werden 4 Querbalken angezeigt (Abb. 2/C)
- Zum Einschalten der Maschine drücken Sie die EIN/AUS-Taste (1). (Abb. 2/D)
- Auf dem Display erscheint blinkend die Meldung "FILL" und die Maschine beginnt mit dem Füllen des Wassers (Abb. 2/E)
- Bei Erreichen des korrekten Füllstandes wird die Meldung "SP2" angezeigt. (Abb. 2/G)

6.3 Aufheizen

Siehe Abbildung 2

- Nach dem Befüllen beginnt die Maschine automatisch den Aufheizvorgang
- Während des Aufheizens wird die Led-Funktionsleiste (6) durchlaufend in der Farbe "orange" angezeigt (Abb. 2/G)
- Sobald die eingestellte Temperatur erreicht ist, leuchtet die Led-Funktionsleiste (6) "grün". (Abb. 2/H)

6.4 Spülen

Siehe Abbildung 4

- Um den Spülvorgang zu beginnen, genügt es, einen Korb am Eingang der Maschine bis zur Aufnahme durch das Korbtransportsystem einzuführen.
- Die Led-Funktionsleiste (6) beginnt mit dem Durchlauf.
- Während des Spülens wird das aktuelle Spülprogramm auf dem Display angezeigt

6.5 Spülprogramme

Von der Tastatur aus können folgende Programme ausgewählt werden:

Zur Anzeige der Programmauswahl drücken Sie die Taste (4) Programm-Taste

- **SP1** "Hight capacity ", geeignet zum Spülen von Tellern mit leichter, frischer Verschmutzung.
- **SP2** "General purpose", allgemeines Spülprogramm.

Zur Anzeige der fortgeschrittenen Programmauswahl drücken Sie Taste (3) Sonderprogramm-Taste

- **AP1** "Prolonged Contact" stellt eine Spülzeit in Übereinstimmung mit der **DIN 10534** – Norm sicher
- **AP2** "Glass" Spezialprogramm zum Spülen von Gläsern.

Während des Spülvorgangs ist die Wahl eines anderen Programms erst nach Drücken der Taste (2) Start/Stop möglich.

6.6 Stoppvorrichtungen

Die Maschine ist mit einer Stopptaste (1) am Bedienfeld ausgestattet, und seine Betätigung verursacht den unverzüglichen Stopp aller bewegten Teile und des Spülprogramms. Es besteht die Möglichkeit der Installation weiterer, optionaler Stoppvorrichtungen am Korbeingang und -Ausgang.

6.7 Anzeige von Uhrzeit und Betriebsstunden

Die Spül- und Nachspültemperaturen können jederzeit angezeigt werden. Dazu die Start-/Stopp-Taste (2) einige Sekunden (ca. 5 Sek.) gedrückt halten. Auf dem Display werden nacheinander die Spültemperatur "t", die Nachspültemperatur "b" und die Betriebsstunden der Maschine "Hr" angezeigt. Die Meldungen werden zweimal angezeigt, danach erscheint die übliche Programmanzeige

6.8 Endschalter

Die Maschine muss mit einem Endschalter an der Ausgangsebene der Körbe versehen werden (siehe Kapitel Installation). Auf dem Display wird die Meldung "End" angezeigt, wenn ein Korb den Endschalter erreicht und der Förderer stoppt, bis der Korb entnommen wird. (Abb. 3) Es genügt, den Korb am Ende der Ebene zu entnehmen, um die Maschine vollkommen neu zu starten. Wird der Korb nicht binnen weniger Minuten entnommen, schaltet die Maschine den Nachspül-, Spül-, Vorspül- und Trockenbereich nacheinander ab.

6.9 Einstellungen

Temperaturen und Dosierzeiten können vom Nutzer eingestellt werden. Siehe Abb. 7

- Die Maschine mit der Ein-/Aus-Taste (1) ausschalten (Abb. 7/A)
- Tür der Maschine öffnen (Abb. 7/B)
- Auf dem Display erscheint die Anzeige "door" (Abb. 7/C)
- Die Tasten (1) und (2) ein paar Sekunden lang gleichzeitig gedrückt halten. (Abb. 7/D)
- Auf dem Display werden abwechselnd die Meldungen "CH" und "0" angezeigt.
- Die Zahlen mit den Tasten (3) und (4) durchblättern und die Zahl "12" wählen (Abb. 7/E)
- Drücken Sie die Ein-/Aus-Taste (1). (Abb. 7/F)
- Die Parameter-Liste mit den Tasten (1) und (2) durchblättern und den gewünschten Parameter auswählen (Abb. 7/G)
- Auf dem Display werden abwechselnd der Parameterkürzel sowie der eingestellte Wert angezeigt (Abb. 7/H)
- Mit den Tasten (3) und (4) den gewünschten Wert einstellen. (Abb. 7/I)
- Nach erfolgten Einstellungen die Ein-/Aus-Taste (1) ein paar Sekunden gedrückt halten
- Die neuen Einstellungen sind jetzt gespeichert, auf dem Display erscheint die Meldung "- - -". (Abb. 7/M)

6.9.1 Temperaturen

Mit Ausnahme des "Glass" Programms können die Spül- und Nachspültemperaturen aller Programme eingestellt werden

Parameter	Nachspültemperatur Programm	Einstellungsbereich (°C)
b1	"SP1"	"oFF", 1,2...90
b2	"SP2"	
b3	"AP1"	

Parameter	Spültemperatur Programm	Einstellungsbereich (°C)
t1	"SP1"	"oFF",1,2...70
t2	"SP2"	
t2	"AP1"	

6.9.2 Dosierer

Für die Dosierzeiten der Klarspüler- und Reinigerdosierer ist eine Einstellung in Sekunden möglich

Parameter	Dosierzeit	Einstellungsbereich (S.)
dt	Reiniger	oFF,1,2...25
bL	Klarspüler	oFF,1,2...25

Der Dosierkreis kann manuell befüllt werden.

Dazu folgendermaßen vorgehen:

- Wählen Sie im Menü den Parameter "**bn**", falls Sie den Klarspülerkreis befüllen möchten, für den Spülmittelkreis wählen Sie "**dn**".
- Bei Auswahl des Klarspülerkreises wird auf dem Display nacheinander "**bn**", "**oFF**" angezeigt, bei Auswahl des Spülmittelkreis "**dn**", "**oFF**"
- Taste (3) gedrückt halten
- Der entsprechende Dosierer beginnt mit dem Befüllen der Leitungen, auf dem Display wird nun "**on**" statt "**oFF**" angezeigt
- Zum Stoppen des Dosierers Taste (3) loslassen.

6.10 Betriebsmeldungen

Display	Beschreibung der Meldung
door	Ein oder mehrere Türen offen
b	Temperatur Klarspülwasser
t	Temperatur Spültank
Fl	Aktivierung der Erstbefüllung
FILL	Tankbefüllung läuft
nodt	Reiniger fehlt
nobL	Klarspüler fehlt
Fu A	Firmware Revision
C5	Software Code
Hr	Anzahl der Betriebsstunden
End	Aktivierung des Endschalters

6.11 Funktions- und Statusleiste

Am Display befinden sich farbige LED's, welche den Status und die Funktionen der Maschine in Echtzeit anzeigen.

FUNKTIONSLEISTE (LED)		
	Grün	Kein Alarm
	Orange	Hinweis auf eine Betriebsstörung, die keinen Maschinenstillstand auslöst
	Rot	Alarm, der den Maschinenbetrieb blockiert
ALARMLEISTE (LED)		
	Leuchtet grün	Betriebstemperaturen erreicht, Maschine betriebsbereit
	Grün durchlaufend	Spülvorgang läuft
	Orange durchlaufend	Aufheizen läuft

6.12 Selbstdiagnose

Die Maschine verfügt über ein Selbstdiagnosesystem, das verschiedene Betriebsstörungen erkennt und anzeigt.

Display	Beschreibung des Fehlers und mögliche Beseitigung	
Er03	Zeitfehler Thermostop	Die Soll-Temperatur des Boilers hat den eingestellten Wert in der vorgegebenen Zeit nicht erreicht, wenden Sie sich an ein Servicezentrum.
Er04	Zeitfehler beim Befüllen des Tanks	Der Soll- Füllstand im Spültank wurde nicht erreicht. Sicherstellen, dass der Überlauf korrekt eingesetzt wurde und dass die Wasserversorgung aufgedreht ist, dann die Maschine aus- und wiedereinschalten. Tritt das Problem weiterhin auf, wenden Sie sich an ein Servicezentrum
Er05	Tanksonde "offen"	Die Temperatursonde des Tanks ist defekt. Das Aufheizen wird dadurch verhindert. Wenden Sie sich an ein Servicezentrum.
Er06	Tanksonde "geschlossen"	
Er07	Boilersonde "offen"	Die Temperatursonde des Boilers ist defekt. Das Aufheizen wird dadurch verhindert. Wenden Sie sich an ein Servicezentrum.
Er08	Boilersonde "geschlossen"	

		an ein Servicezentrum.
ErSF	Elektromechanische Sicherheit	Eingreifen der elektromechanischen Sicherung am Korbförderer. Maschine abschalten und überprüfen, ob ein Gegenstand im Inneren den Transport verhindert und das Hindernis ggf. entfernen. Tritt das Problem weiterhin auf, wenden Sie sich an ein Servicezentrum.
Er23	Zeitfehler Abfluss	Die Zweifach-Nachspülwanne wird nicht abgelassen, Maschine abschalten und den entsprechenden Filter reinigen. Tritt das Problem weiterhin auf, wenden Sie sich an ein Servicezentrum.
Er24	Zeitfehler beim Befüllen des Break-Tanks	Der korrekte Füllstand im Break-Tank wurde nicht erreicht. Sicherstellen, dass die Wasserversorgung aufgedreht ist und die Durchflussmenge mit den Daten auf dem Typenschild übereinstimmt, dann die Maschine aus- und wieder einschalten. Tritt das Problem weiterhin auf, wenden Sie sich an ein Servicezentrum
Er51	Elektromechanische Temperatur-Sicherung	Eingreifen eines der Sicherheits-Thermostate, wenden Sie sich an ein Servicezentrum

Achtung:

Durch das Aus- und Wiedereinschalten der Maschine erfolgt ein Reset der Fehlermeldung, die anschließend erneut angezeigt wird, sofern die Ursache des Problems nicht behoben wurde.

Für Fehlerdiagnosen durch ein Service-Centrum ist es daher ratsam, die Fehlermeldungen zu notieren bevor die Maschine Aus- und wieder Eingeschaltet wird.

6.13 Maßnahmen nach dem Spülen

Siehe Abbildung 8

- Die Maschine mit der Ein-/Aus-Taste zu stoppen (Abb. 8/A)
- Den Hauptschalter an der Wand ausschalten (Abb. 8/B)
- Die Türen öffnen und dabei sicherstellen, dass sie korrekt in den Halterungen sitzen. (Abb. 8/C)
- Die horizontalen Tank-Filter herausnehmen und dabei darauf achten, dass keine Speisereste in die Tanks fallen. (Abb. 8/D)
- Den vertikalen Kassettenfilter anheben und den Inhalt leeren. Den horizontalen Filter und den Kassettenfilter mit einer harten Bürste reinigen und abspülen. (Abb. 8/D)
- Überlauf herausnehmen und den Tank leeren. (Abb. 8/F)
- Den Tankboden mit einem Leitungswasserstrahl gründlich reinigen.
- Die Vorhänge gründlich reinigen.
- Etwaige Schmutzrückstände aus den entleerten Tanks entfernen. Dann den Sicherheitsfilter der Pumpe entfernen und mit einem Leitungswasserstrahl gründlich reinigen. (Abb. 8/G)
- Die Maschine nach Abkühlen, von außen mit einem Schwamm und einem nicht schäumenden, milden und nicht abrasiven Mittel reinigen.
- Überlauf, Tankfilter und Kastenfilter wieder einsetzen.

Nun ist die Maschine wieder betriebsbereit.

ACHTUNG: Die Maschine nicht direkt mit einem Wasserstrahl oder einem Hochdruckreiniger reinigen, da ein etwaiges Eindringen von Wasser in die Elektrik den korrekten Maschinenbetrieb und die der Sicherheitssysteme beeinträchtigen könnte, was zu einem Verfall der Garantie führt.

Um der Bildung von unangenehmem Gerüchen vorzubeugen wird empfohlen, die Türen im Stillstand offen zu lassen.

6.14 Anordnung des Geschirrs

Siehe Abbildung 5

- Tassen und Gläser mit der Oberseite nach unten in die Körbe stellen.
- Teller mit der Oberfläche der Innenseite nach oben in den entsprechenden Korb mit Halterungen stellen.
- Besteck und Kaffeelöffel mit dem Griff nach unten in den entsprechenden Behälter stellen

Wichtige Hinweise:

- Silber- und Edelstahlbesteck nicht gemeinsam in denselben Besteckbehälter geben, da dies zur Vergilbung des Silbers und zur Korrosion des Edelstahls führen kann.
- Verwenden Sie für jeden Geschirrtyp (Teller, Gläser, Tassen, Besteck, usw.) die dafür geeigneten Körbe und Behälter.
- Um Spülmittel und Energie zu sparen, spülen sie nur volle Körbe, ohne diese jedoch zu überladen.
- Das Geschirr nach Möglichkeit nicht übereinander in den Korb einräumen.
- Um den Wartungsaufwand zu minimieren, **empfehlen wir**, Speisereste, Zitronenschalen, Zahnstocher, Olivenkerne, usw. bereits vorab vom Geschirr zu entfernen. Diese können zu Verstopfungen des Pumpenfilters führen und somit die Effizienz der Reinigung und somit das Spülergebnis negativ beeinträchtigen.
- Das Geschirr nach Möglichkeit spülen, bevor der Schmutz auf der Oberfläche antrocknet. Bei hartnäckigem Schmutz wird empfohlen, das Geschirr und Besteck vor dem Spülgang etwas einzuweichen.

7.1 Allgemeine Regeln

Die Maschinen wurden für einen besonders geringen Wartungsaufwand konzipiert. Die nachstehenden Regeln müssen unbedingt beachtet werden, um eine lange Lebensdauer und einen störungsfreien Betrieb zu gewährleisten.

Um die Maschine stets betriebsbereit zu halten gilt es, nachstehende allgemeingültigen Regeln zu beachten:

- Maschine sauber und in Ordnung halten
- provisorische Notreparaturen vermeiden

Die strikte Einhaltung der regelmäßigen Wartungsvorschriften ist besonders wichtig: alle Maschinenteile müssen regelmäßig kontrolliert werden, um Störungen zu vermeiden. Wodurch die für einen etwaigen Wartungseingriff erforderlichen Zeiten minimiert werden.

Vor der Reinigung der Maschine muss die Stromversorgung am Hauptschalter getrennt werden.

7.2 Regelmäßige Wartung

Siehe Abb. 9

- Die oberen und unteren Nachspülarme abmontieren
- Etwaige Verstopfungen der Spritzdüsen entfernen und alles wieder korrekt anbringen.
- Die Vorhänge abmontieren und unter einem Wasserstrahl mit einer Nylonbürste reinigen.
- Die oberen und unteren Spülarme abmontieren, reinigen und abspülen.
- Den Filter der Spülpumpe herausnehmen, reinigen und abspülen.
- Die Spültanks besonders gewissenhaft reinigen.
- Aufgrund der im Wasser vorhandenen Kalk- und Magnesiumsalze kommt es nach einer gewissen Zeit, je nach Wasserhärte, an den Innenflächen des Boilers und in den Leitungen zu Kalkablagerungen, welche den korrekten Maschinenbetrieb beeinträchtigen können.
- Folglich sollte die Maschine regelmäßig entkalkt werden, möglichst von einem Fachmann.
- Bleibt das Gerät längere Zeit inaktiv, schmieren Sie die Stahlflächen mit Vaselineöl.
- Bei Frostgefahr muss das Wasser von einem Fachmann aus Boiler und Spülpumpe abgelassen werden.
- Kommt es bei vorhandenem Wasser im Maschineninneren zu starken Kalkablagerungen, können diese mit einem geeigneten Entkalker entfernt werden.
- Beachten Sie dabei die Angaben des Produktherstellers oder wenden Sie sich an einen Fachmann. Die Maschine nach dem Entkalken gründlich spülen.
- Wirksamkeit der Sicherheitsvorrichtungen kontrollieren.
- Bei Verschmutzung der Verdampferbatterie muss diese ausgebaut und mit Druckluft zwischen den Lamellen gereinigt werden.

- **BEDENKEN SIE:**
Mechanische und elektromechanische Maschinenteile unterliegen stets einem gewissen Verschleiß, folglich sind regelmäßige Sichtprüfungen durch einen Fachmann an folgenden Teilen erforderlich:
 - Schienen des Fördersystems
 - Dichtungen der Elektropumpen
 - Türführungen und Federn
 - FSchütze und Relais
 - SicherheitsvorrichtungenAuch nicht zur Maschine gehörende Vorrichtungen müssen getestet und kontrolliert werden, solche wie Ableitstrom, Erdung, Sicherungsautomaten in Stromkreisen, elektrische Leitungen, Zustand der Wasserzuleitungen, Abflusssystem, korrekte Funktionsweise der Dosierer.

- **Bei Betriebsstörungen wenden Sie sich ausschließlich an ein autorisiertes Servicezentrum des Herstellers oder an ihren Vertragshändler.**



Cap 8 ENTSORGUNG

An unseren Maschinen werden keine Materialien verwendet, die einer Sonderentsorgung bedürfen.

(Dies gilt für alle EU-Länder und Länder mit geregelter Mülltrennungssystem)

Das am Gerät und in seiner Dokumentation aufgeführte Zeichen besagt, dass das Gerät am Ende seines Lebenszyklus nicht mit dem Hausmüll entsorgt werden darf. Zur Vermeidung etwaiger Umwelt- und Gesundheitsschäden durch eine nicht korrekte Altgeräteentsorgung wird der Nutzer gebeten, dieses Produkt von anderem Müll zu trennen und es umfassend recyceln zu lassen, um die nachhaltige Wiederverwertung der Materialressourcen zu fördern.

Private Nutzer werden gebeten, sich an ihren Händler oder an das örtliche Abfallwirtschaftsamt bezüglich des Recycling des Geräts zu wenden.

Gewerbliche Nutzer werden gebeten, sich an ihren Lieferanten zu wenden und die entsprechenden Bedingungen im Kaufvertrag zu prüfen.

Dieses Produkt darf nicht gemeinsam mit weiterem gewerblichem Müll entsorgt werden.

Cap 9 UMWELT

UMWELTGERECHTER GEBRAUCH

- Ein bewusster Gebrauch der Korbtransportspülmaschine kann durch kleine, alltägliche Regeln zur Verringerung der Umwelteinwirkungen beitragen:
- Nur volle Körbe spülen.
- Die Korbtransportspülmaschine bei Nichtgebrauch abschalten.
- Die Maschinentüren im Standby-Modus stets geschlossen halten
- Je nach Verschmutzung, das geeignete Programm wählen.
- Die Maschine mit warmem Wasser versorgen, falls dies mit Gas erhitzt wurde.
- Sicherstellen, dass das Abwasser in ein geeignetes Abwassersystem fließt.
- Die empfohlene Spülmitteldosierung nicht überschreiten.

*Der Hersteller behält sich elektrische, technische und optische Änderungen an dieser Korbtransportspülmaschine vor, sowie das Recht, Teile nach eigenem Ermessen, auch ohne Vorankündigung, auszutauschen, um stets ein zuverlässiges, langlebiges Produkt auf dem neusten technischen Stand bieten zu können.
Der Hersteller behält sich gesetzesgemäß das Eigentum an diesem Dokument vor. Die Vervielfältigung und Verbreitung ohne dessen schriftliche Einwilligung sind untersagt.
Der Hersteller behält sich Änderungen jeder Art ohne Vorankündigung vor, um alle nach seinem Ermessen erforderlichen Verbesserungen vorzunehmen.*

