

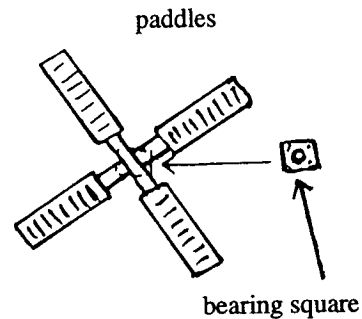
Windmill Assembly

INSTRUCTIONS

1. Interlock windmill paddles.

1A. Insert 2 bearings from outside into bearing square before attaching to propellers. Keep recessed side of bearing squares to outside.

2. Put bearing square where paddles cross and fasten with 4 screws.

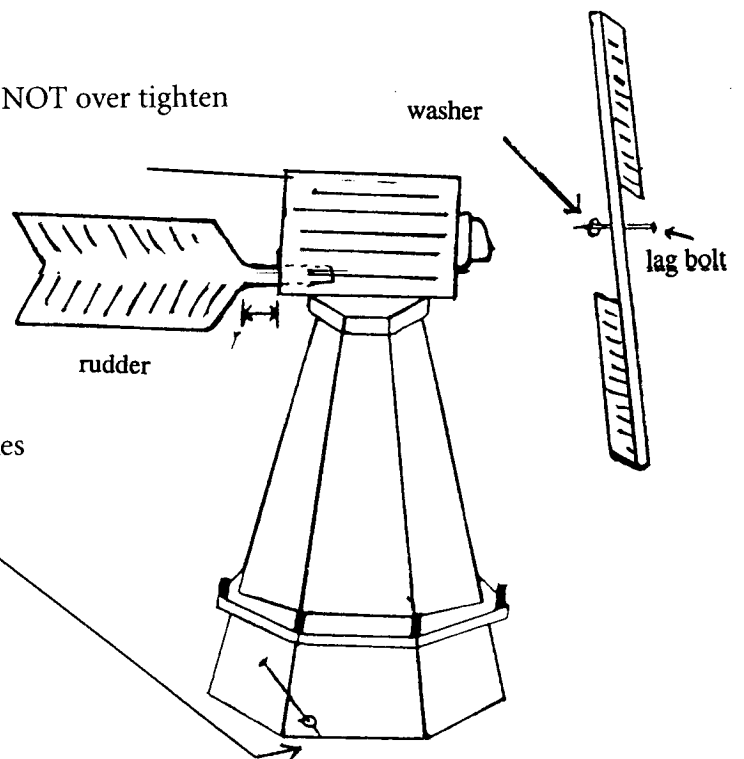


3. Insert big lag bolt through bearing and paddles.

4. On opposite side place 2nd bearing square onto lag bolt for correct positioning. Make sure lag slides freely before fastening 2nd bearing square with screws.

5. Fasten paddle assembly to windmill as shown. Do NOT over tighten or paddles will not spin.

6. Push rudder into hole provided and fasten from bottom of head through predrilled holes using long screws.



7. Long spikes are provided for anchoring. Start spikes at an angle through eyebolts.

HARDWARE LIST

- 1 - $\frac{3}{8}$ " x $4\frac{1}{2}$ " lag screw
- 1 - $\frac{3}{8}$ " washer
- 2 - bearing squares
- 2 - #6 x $\frac{3}{4}$ " screws
- 3 - 6" anchor spikes
- 8 - #6 x 1" screws

Proper Care of your Fine Piece of Lawn Furniture: This lawn furniture is constructed with premium quality treated southern yellow pine. This wood was dried after treatment and milled. You do not have to wait for any curing process. Even though this wood is first quality and much care has been given to make sure the craftsmanship is also first quality it still needs a sealer to protect it from the elements to avoid any checking or warping. The manufacturer recommends you see the store where you bought this furniture for the proper sealer.